

ZVF-XXSX-X-X-*

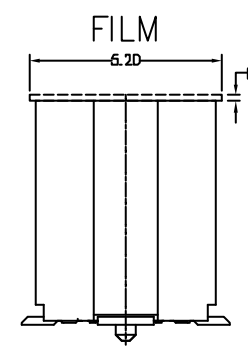
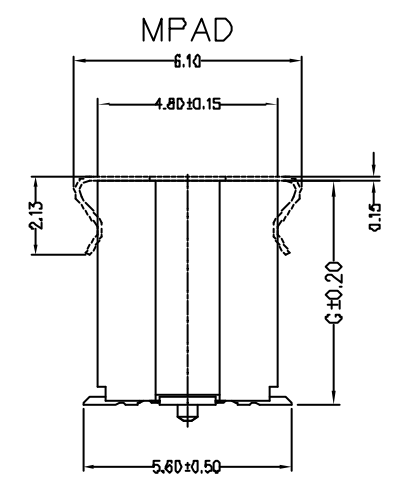
Number of Contacts
4,5,6,7,8,9,A,B
Contact Plating

NULL: TUBE(W/D MPAD, FILM)
K: REEL(W/O MPAD, FILM)
D: FILM+REEL
F: FILM+TUBE
B: MPAD+REEL
E: MPAD+TUBE
O: W/O Locating peg
1: With Locating peg

Definition	Code
Gold plated:	
Flash B	15/4" F
30μ" E	
Standard: B	
Prefix "V" means lead free plating.	

	P
FILM	6.00
MPAD	6.90

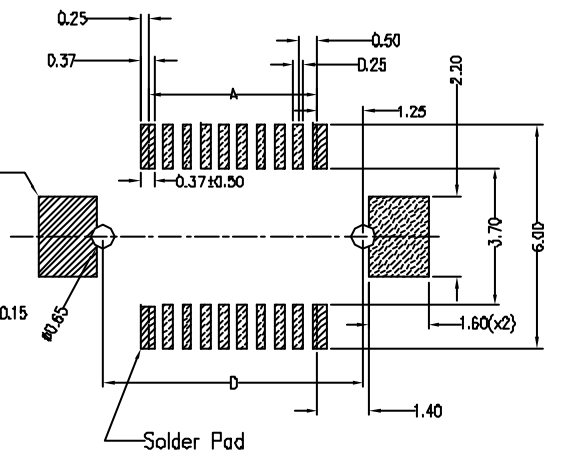
MALE	E	F	MATING HEIGHT	FEMALE	F	G
ZVF-X08A	1.0	3.0	3.5	ZVF-X08B	2.0	2.5
ZVF-X10A	1.0	3.0	4.0	ZVF-X10B	2.5	3.0
ZVF-X12A	1.5	3.5	4.5			
ZVF-X14A	1.0	3.0	5.0	ZVF-X14B		4.0
ZVF-X16A	1.5	3.5	5.5	ZVF-X16B		5.0
ZVF-X18A	1.0	3.0	6.0	ZVF-X18B		6.0
ZVF-X20A	1.5	3.5	6.5	ZVF-X20B		7.0
ZVF-X22A	1.0	3.0	7.0	ZVF-X22B		8.0
ZVF-X24A	1.5	3.5	7.5	ZVF-X24B		8.0
ZVF-X26A	1.0	3.0	8.0	ZVF-X26B		7.0
ZVF-X28A	1.5	3.5	8.5	ZVF-X28B		8.0
ZVF-X30A	1.0	3.0	9.0	ZVF-X30B		9.0
ZVF-X32A	1.5	3.5	9.5	ZVF-X32B		10.0
ZVF-X34A	1.0	3.0	10.0	ZVF-X34B		11.0
ZVF-X36A	1.5	3.5	10.5	ZVF-X36B		11.0
ZVF-X38A	1.0	3.0	11.0	ZVF-X38B		11.0
ZVF-X40A	1.5	3.5	11.5	ZVF-X40B		11.0



SPECIFICATIONS

Current Rating: 0.3 Amps
 Voltage Rating: 50V
 Insulator resistance: 100 Megohms min.
 Contacts resistance: 60 m ohms max.
 Dielectric withstanding: AC 250V
 Operating Temperature: $-40^{\circ} \sim +85^{\circ} \text{C}$
 Contact Material: Copper Alloy
 Insulator Material: High Temperature Thermoplastic, UL 94V-0 (NYLON 9T)
 Color: Black

Finish: Gold plated
 Standard: Gold flash all over



Recommended PCB layout
 (PCB TOLERANCE: ± 0.05)

Rev.	ECN Number	Description	Drawn	Date
19	EC2-540069	新增 10S4有導量度(評估完成)	唐益東	07/14 05'
20	EC3-550039	新增 60S5有導量度(評估完成)	林錫銘/唐益東	09/26 05'
21	EC2-480203	新增 24S4無導量度(評估完成)	陳顯森	10/21 05'



GENERAL TOLERANCE		SCALE
XX. ± 0.50	XXX. \pm	1=1
X. ± 0.30	.XXX \pm	UNIT MM
.X ± 0.25	.X° $\pm 4^{\circ}$	SIZE A4/4
.XX ± 0.20	.X° $\pm 4^{\circ}$	

ORIGINAL DRAWN QUAKER.CHI
 DATE 03/12/03'
 CHECK 林錫銘
 DATE 10/21 05'
 APPROVE 林錫銘
 DATE 10/21 05'

DWG. NO. 15-07
 TITLE 成品規格圖
 PARTS NO. ZVF-XXSX-X-X-*

REV. 21
 SHEET 1/2