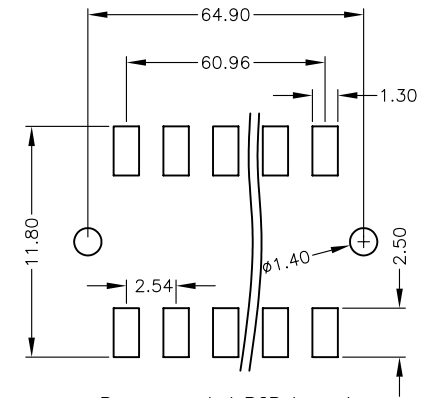
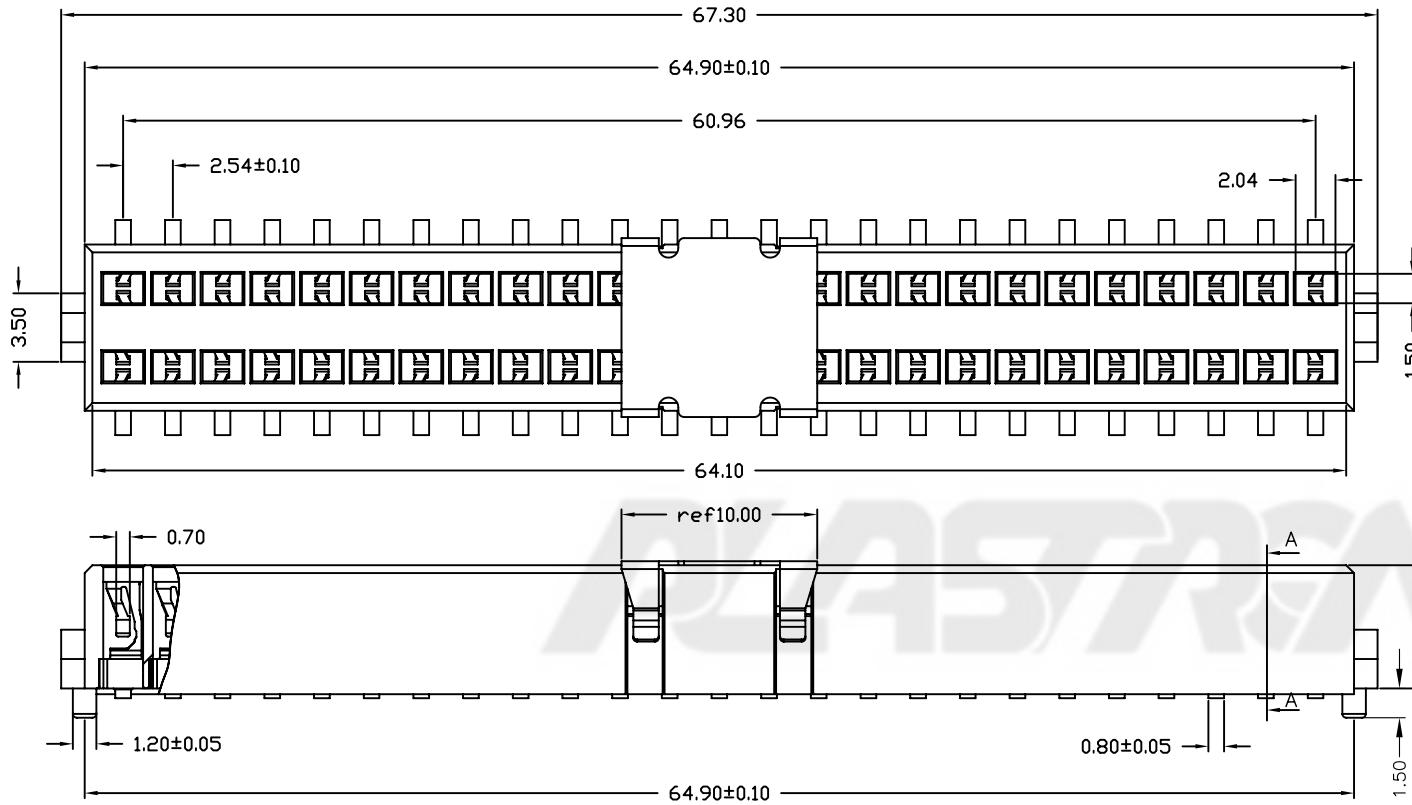
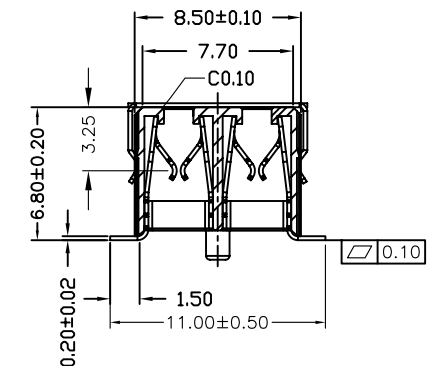


Rev.	ECN Number	Description	Drawn
1	CH11110161	NEWS ISSUE	XIHONG.LIU_08/09/11



Recommended PCB Layout
(PCB TOLERANCE ±0.05)



SECTION A-A
SCALE 1:1

NOTES:

- DIMENSION SHALL BE INTERPRETED PER ANSI Y14.5M-1994
- CONTACT RETENTION FORCE: 350g MIN. PER CONTACT.
- DURABILITY: 100 CYCLES MIN.
- CURRENT RATING: 3 AMPERE.
- RATING VOLTAGE: 250V AC
- CONTACT RESISTANCE: 20 m ohms MAX, INITIAL.
- DIELECTRIC WITHSTANDING VOLTAGE: 500V AC rms./MINUTE.
- INSULATION RESISTANCE: 5000 Megohms MIN.
- HOUSING MATERIAL:LCP,UL94V-0,COLOR:BLACK.
- CONTACT MATERIAL: PHOSPHOR BRONZE
- PLATING: GOLD PLATED ON CONTACT AREA
GOLD FLASH ON SOLDER AREA
NI 50~80u" UNDER PLATED OVERALL.

- MAX PROCESSING TEMPERATURE:260°F FOR 30 SECONDS.
- OPERATING TEMPERATURE RANGE: -40°C~+105°C
- STORAGE TEMPERATURE RANGE: -40°C~+90°C
- HARMFUL MATERIAL SHOULD BE COMPLIANT TO DOC. "EI-0005" STANDARDS.
- PRODUCT NUMBER MATRIX:
SSR501-50 J B
- SERIES NO. _____ PACKING:MPAD+REEL
PLATING:
30u"Au(CONTACT AREA)
Gold Flash(SOLDER AREA)
- PIN NO. (50pin) _____



GENERAL TOLERANCE		SCALE	ORIGINAL DRAWN	DATE	DWG. NO.	TITLE	REV.
XX. ±	XXX. ±	N/A	XIHONG.LIU	08/09/11	600-0000-1046	CUSTOMER_DRAWING	1
X. ± 0.30	.XXX ±	UNIT	CHECK	DATE			
.X ± 0.25	X.° ± 3°	MM	---	---	PARTS NO.(INTENDED USE)	SHEET	1/3
.XX ± 0.20	.X° ± 2°	SIZE	APPROVE	DATE	SSR501-50JB		

A

B

C

D