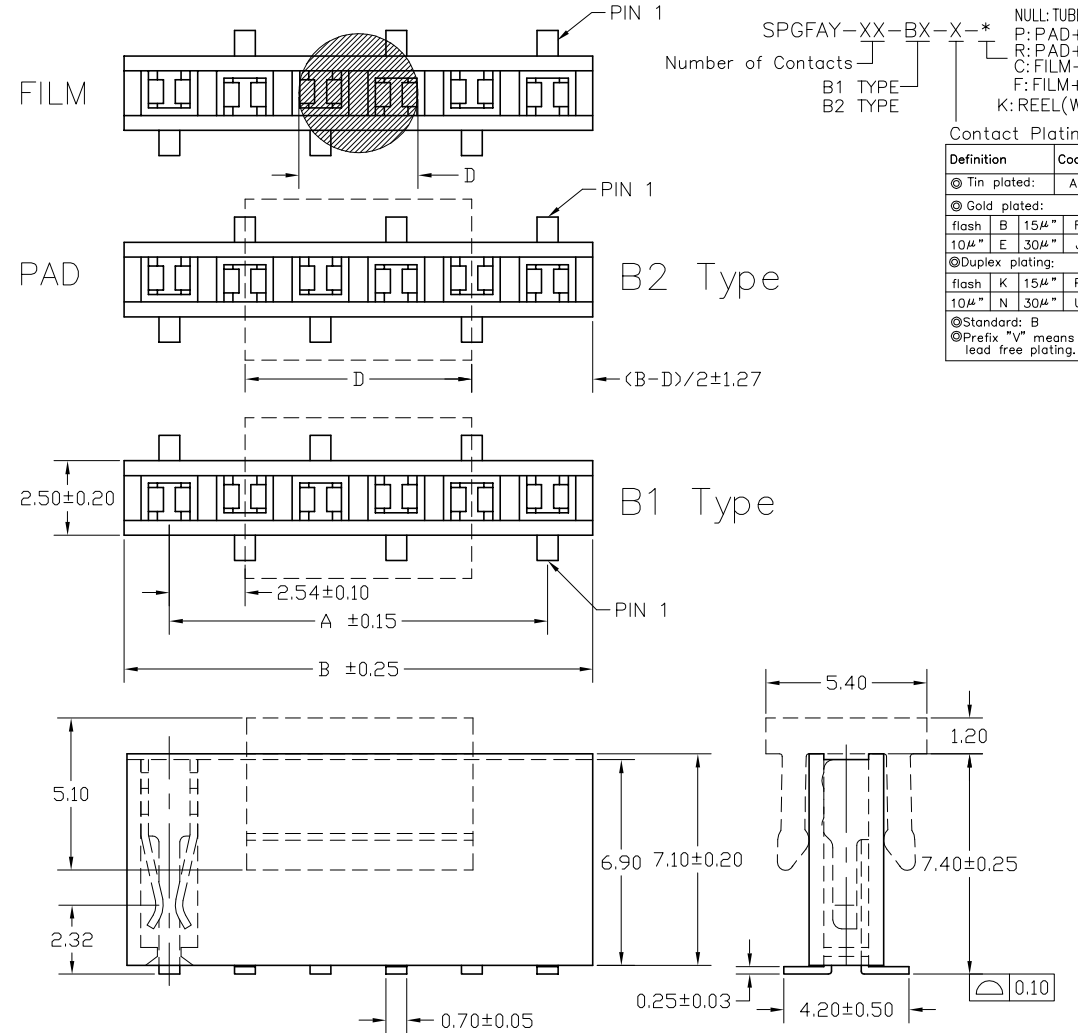


No. of Contacts	DIMENSIONS		REMARK (備註)
	A	B	
3	5.08	8.12	○
4	7.62	10.66	○
5	10.16	13.20	○
6	12.70	15.74	○
7	15.24	18.28	○
8	17.78	20.82	○
9	20.32	23.36	○
10	22.86	25.90	○
11	25.40	28.44	○
12	27.94	30.98	○
13	30.48	33.52	○
14	33.02	36.06	○
15	35.56	38.60	○
16	38.10	41.14	○
17	40.64	43.68	○
18	43.18	46.22	○
19	45.72	48.76	○
20	48.26	51.30	○
21	50.80	53.84	○
22	53.34	56.38	○
23	55.88	58.92	○
24	58.42	61.46	○
25	60.96	64.00	○
26	63.50	66.54	○
27	66.04	69.08	○
28	68.58	71.62	○
29	71.12	74.16	○
30	73.66	76.70	○
31	76.20	79.24	○
32	78.74	81.78	○
33	81.28	84.32	○
34	83.82	86.86	○
35	86.36	89.40	○
36	88.90	91.94	○
37	91.44	94.48	○
38	93.98	97.02	○
39	96.52	99.56	○
40	99.06	102.1	○



PAD	D=7.60
FILM	D=φ4.0

SPGFAY-XX-BX-X-*

Number of Contacts

B1 TYPE
B2 TYPE

NULL: TUBE(W/O FILM,PAD)
P: PAD+TUBE
R: PAD+REEL
C: FILM+REEL
F: FILM+TUBE
K: REEL(W/O FILM,PAD)

Contact Plating

Definition	Code
◎ Tin plated:	A
◎ Gold plated:	
flash B	15μ" F
10μ" E	30μ" J
◎ Duplex plating:	
flash K	15μ" P
10μ" N	30μ" U
◎ Standard:	B
◎ Prefix "V" means	lead free plating.

SPECIFICATIONS

Current Rating: 3 Amps
 Insulator resistance: 5000 Megohms min.
 Contact resistance: 20 m ohms max.
 Dielectric withstanding: AC 1000 V
 Operating Temperature: -40°~+105°C
 Contact Material: Phosphor bronze
 Insulator Material: High Temperature Thermoplastic, UL 94V-0

Finish: Tin, Gold or Duplex plated
 ◎ Standard: Gold flash all over
 ◎ Note: Duplex plating: gold plated on contact area, Tin on solder area

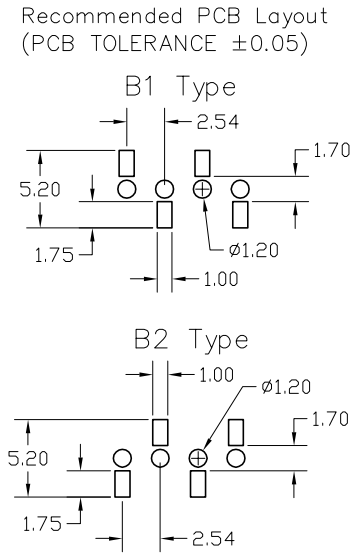


Diagram	Molding description	Rev.	ECN Number	Description	Drawn	Date
○	mass production & assemble mold	2	EC2-530079	新增包材選項	余美娟	03/03 05'
◎	sample & assemble mold	3	EC2-530130	新增包材選項	陳美竹	03/11 05'
⊕	mass production & fix mold					
⊗	sample & fix mold					

 Plastron Precision Co., Ltd. 樟翔精密股份有限公司	GENERAL TOLERANCE		SCALE 4=1	ORIGINAL DRAWN	江坤容	DATE	01/06 03'	DWG. NO. X-XX	TITLE	2.54mm SMD SOCKET (成品規格圖)	REV.	3
	XX. ± 0.50	XXX. ±		CHECK	江坤容	DATE	03/11 05'				PARTS NO. SPGFAY-XX-BX-X-*	SHEET
	X. ± 0.30	.XXX ±	APPROVE	林錫錦	DATE	03/11 05'						
	.X ± 0.25	X. ± 4'	SIZE A4									
.XX ± 0.20	.X ± 4'											