

No. of Contacts	DIMENSIONS			REMARK/REMARK (有標) (無標)
	A	B	D	
19	5.08	14.35	12.75	⊕
34	20.32	29.59	27.99	⊕
40	24.13	33.40	31.80	⊕
50	30.48	39.75	38.15	⊕
60	36.83	46.10	44.50	⊕
64	39.37	48.64	47.04	⊕
68	41.91	51.18	49.58	⊕
70	43.18	52.45	50.85	⊕
72	44.45	53.72	52.12	⊕
80	49.53	58.80	57.20	⊕
100	62.23	71.50	69.90	⊕

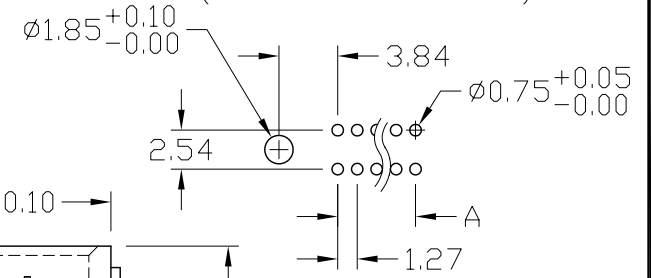
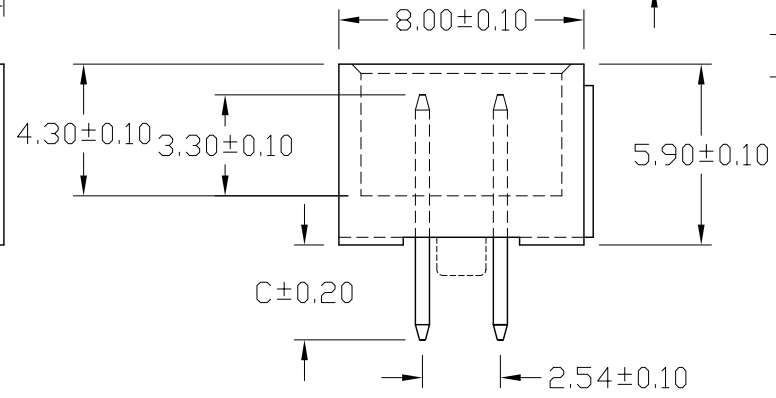
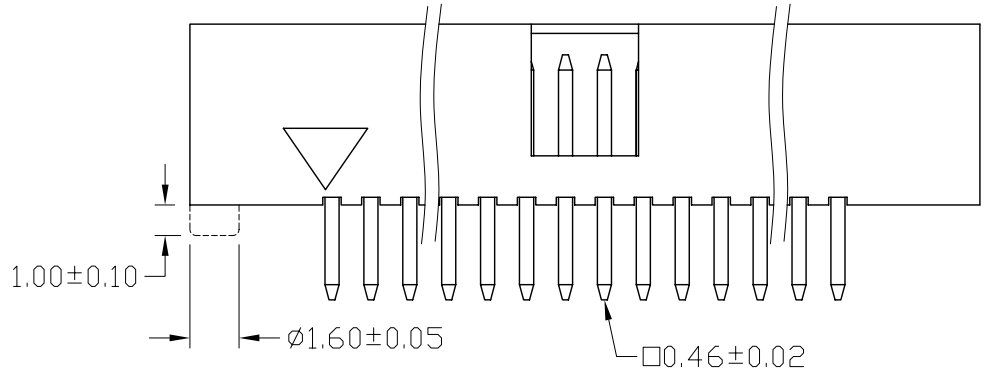
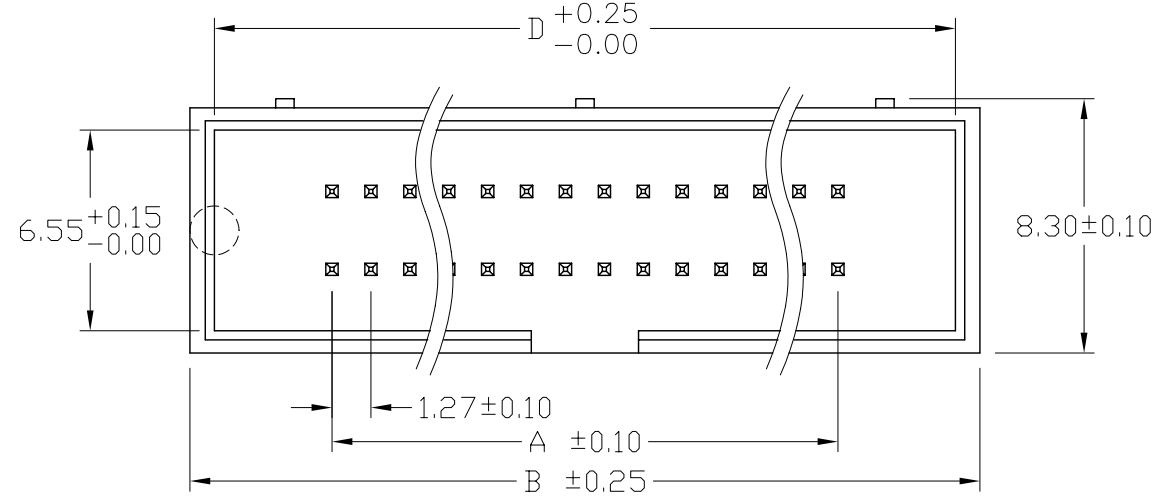
Diagram	Molding description
○	mass production & assemble mold
⊕	sample & assemble mold
⊕	mass production & fix mold
⊕	sample & fix mold

PRG-XXS-X-C-X
 Number of Contacts: Straight
 0:W/O Locating peg
 1:With Locating peg

Contact Plating

Definition	Code
⊕ Gold plated:	
flash B 15μ" F	
10μ" E 30μ" J	
⊕ Standard: B	
⊕ Prefix 'V' means lead free plating.	

SPECIFICATIONS
 Current Rating: 1 Amp
 Insulator resistance: 5000 Megohms min.
 Dielectric withstanding: AC 500 V
 Operating Temperature: -40°~+105°C
 Contact Material: Phosphor bronze
 Insulator Material: High Temperature Thermoplastic, UL 94V-0(Nylon-9T)
 Color : Black
 Finish: Tin, Gold or Duplex plated
 ⊕ Standard: Duplex plated
 ⊕ Note: Duplex plating: gold plated on contact area, Tin on solder area
 ⊕ Harmful material should be compliant to Doc"EI-0005"Standards.
 Recommended PCB Layout (PCB TOLERANCE ±0.05)



PARTS NO.	C
PRG-XXS-X-031-X	3.10
PRG-XXS-X-024-X	2.40

Rev.	ECN Number	Description	Drawn	Date
8	EC2-4B0267	新增 50PIN 無導量產	陳顯鑫	11/12 04'
9	EC3-630007	修改規格說明	彭春霞/詹益東	03/10 06'
10	ECR-670007	無鉛製程需求材質變更 6T → 9T	詹益東	07/11 06'



GENERAL TOLERANCE		SCALE	ORIGINAL DRAWN	DATE
XX. ± 0.50	XXX. ±	1=1	邱若婷	21-04-03'
X. ± 0.30	.XXX ±	UNIT	林錫錦	DATE 07/11 06'
.X ± 0.25	X. ± 4°	SIZE	林錫錦	DATE 07/11 06'
.XX ± 0.20	.X ± 4°	A4/X		

DWG. NO.	TITLE	REV.
F: \DWG\CDWG\PRG\PRGS0E.DWG	1.27x2.54mm BOX HEADER (成品規格圖)	10
PARTS NO. PRG-XXS-X-C-X		SHEET 1/1