

CIRCUITS	DIM A	DIM C	DIM D	W/o Locating pad	Pin Locating pad
8	1.00	2.60	1.50	⊕	⊕
10	2.00	3.60	2.50		
12	2.50	4.10	3.00		
14	3.00	4.60	3.50		
16	3.50	5.10	4.00		
18	4.00	5.60	4.50		
20	4.50	6.10	5.00	⊕	⊕
22	5.00	6.60	5.50		
24	5.50	7.10	6.00	⊕	⊕
26	6.00	7.60	6.50		
28	6.50	8.10	7.00	⊕	⊕
30	7.00	8.60	7.50	⊕	⊕
32	7.50	9.10	8.00		
34	8.00	9.60	8.50	⊕	⊕
36	8.50	10.10	9.00		
38	9.00	10.60	9.50	⊕	⊕
40	9.50	11.10	10.00	⊕	⊕
42	10.00	11.60	10.50		
44	10.50	12.10	11.00		
46	11.00	12.60	11.50	⊕	
48	11.50	13.10	12.00		
50	12.00	13.60	12.50	⊕	
52	12.50	14.10	13.00		
54	13.00	14.60	13.50		
56	13.50	15.10	14.00		
58	14.00	15.60	14.50		
60	14.50	16.10	15.00	⊕	
70	17.00	18.60	17.50		
80	19.50	21.10	20.00		
100	24.50	28.10	25.00	⊕	

66001-XX-X-X-*-*
no. of contact

NULL: TUBE(W/O FILM)
K: REEL(W/O FILM)
Q: FILM+REEL

NULL: Black
D: Natural

D: W/O Locating pad
T: With Locating pad

Contact Plating

Definition	Code
⊕ Tin plated:	A
⊙ Gold plated:	
flash B 15μ" F	
10μ" E 30μ" J	
⊕ Duplex plating:	
flash K 15μ" P	
10μ" N 30μ" U	
⊕ Standard: B	
⊕ Prefix V means lead free plating.	

SPECIFICATIONS

Current Rating: 0.3 Amps
Insulator resistance: 100 Megohms min.
Contacts resistance: 60 m ohms max.
Dielectric withstanding: AC 50V
Operating Temperature: -40~+85°C
Contact Material: Phosphor Bronze
Insulator Material: High Temperature Thermoplastic, UL 94V-0

Finish: Gold plated
⊕ Standard: Gold flash all over

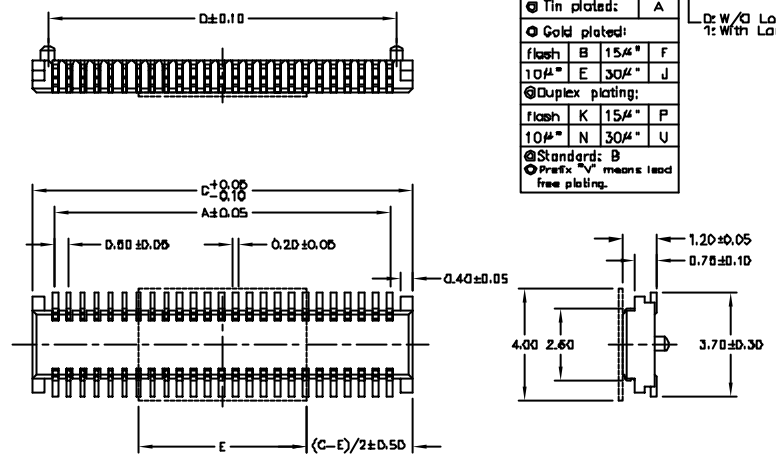
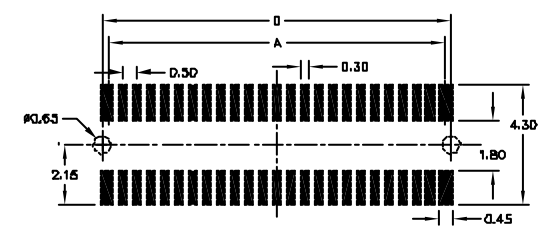
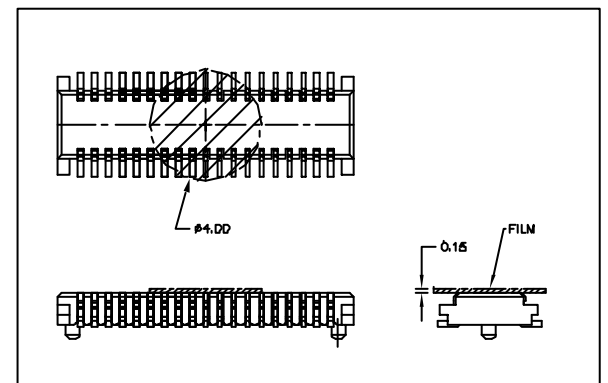


Diagram Molding description

○	mass production & assemble mold
⊕	sample & assemble mold
⊕	mass production & fix mold
⊕	sample & fix mold

PIN数	FILM(E)
18PIN(含)以下	φ4.00
18PIN以上	6.0X4.0



Rev.	ECN Number	Description	Drawn	Date
12	EC2-490288	修改公差 C±0.15->C±0.05 -0.10	洪铁英	01/25 05'
13	ECR-510047	取消 06PIN有磷量産	陈天竹	01/29 05'
14	EC3-530001	新增40PIN有磷量産模	陈朝鑫	03/29 05'

DWG. NO.	X-XX	TITLE	0.50mm BTB PLUG (成品规格图)	REV.	14
F:	\DWG\CDWG\66\66001.DWG	PARTS NO.	66001-XX-X-X-*-*	SHEET	1/1

PLASTRON
Plastron Precision Co., Ltd.
博翔精密股份有限公司

GENERAL TOLERANCE	SCALE 1=1	ORIGINAL DRAWN Song	DATE 04/07/04'
XX. ± 0.50	UNIT MM	CHECK 江坤容	DATE 03/29 05'
X. ± 0.30	SIZE A4/X	APPROVE 林锡钢	DATE 03/29 05'
.X ± 0.25			
.XX ± 0.20			