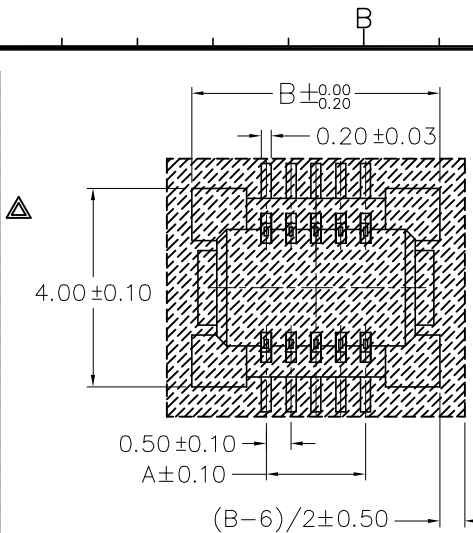


CIRCUITS	DIM A	DIM B	DIM C	DIM D	REMARK (備註)	
					W/O Locating Peg	Locating Peg
10	2.00	5.00	4.00	2.50	⊕	
12	2.50	5.50	4.50	3.00		⊕
14	3.00	6.00	5.00	3.50	⊕	⊕
16	3.50	6.50	5.50	4.00	⊕	
18	4.00	7.00	6.00	4.50	⊕	
20	4.50	7.50	6.50	5.00	⊕	
22	5.00	8.00	7.00	5.50		⊕
24	5.50	8.50	7.50	6.00	⊕	⊕
26	6.00	9.00	8.00	6.50	⊕	
28	6.50	9.50	8.50	7.00		⊕
30	7.00	10.00	9.00	7.50	⊕	⊕
32	7.50	10.50	9.50	8.00		
34	8.00	11.00	10.00	8.50	⊕	
36	8.50	11.50	10.50	9.00		
38	9.00	12.00	11.00	9.50		
40	9.50	12.50	11.50	10.00	⊕	
42	10.00	13.00	12.00	10.50		
44	10.50	13.50	12.50	11.00		
46	11.00	14.00	13.00	11.50		
48	11.50	14.50	13.50	12.00	⊕	
50	12.00	15.00	14.00	12.50		
52	12.50	15.50	14.50	13.00		
54	13.00	16.00	15.00	13.50		
56	13.50	16.50	15.50	14.00		
58	14.00	17.00	16.00	14.50		
60	14.50	17.50	16.50	15.00	⊕	
62	15.00	18.00	17.00	15.50		
64	15.50	18.50	17.50	16.00		
66	16.00	19.00	18.00	16.50		
68	16.50	19.50	18.50	17.00		
70	17.00	20.00	19.00	17.50		⊕
72	17.50	20.50	19.50	18.00		
74	18.00	21.00	20.00	18.50		
76	18.50	21.50	20.50	19.00		
78	19.00	22.00	21.00	19.50		
80	19.50	22.50	21.50	20.00		
82	20.00	23.00	22.00	20.50		
84	20.50	23.50	22.50	21.00		
86	21.00	24.00	23.00	21.50		
88	21.50	24.50	23.50	22.00		
90	22.00	25.00	24.00	22.50		
92	22.50	25.50	24.50	23.00		
94	23.00	26.00	25.00	23.50		
96	23.50	26.50	25.50	24.00		
98	24.00	27.00	26.00	24.50		
100	24.50	27.50	26.50	25.00	⊕	
110	27.00	30.00	29.00	27.50	⊕	
120	29.50	32.50	31.50	30.00	⊕	
140	34.50	37.50	36.50	35.00	⊕	



ZVE-XXS1-X-X-X-\*

Number of Contacts  
Contact Plating

Definition	Code
◎ Gold plated:	
flash B	15μ" F
10μ" E	30μ" J
◎ Standard; B	
◎ Prefix "V" means lead free plating	

0:W/O Locating peg  
1:With Locating peg

NULL: Nylon-6T (Black)  
D: Nylon-9T (Natural) (White)

**SPECIFICATIONS**

Current Rating: 0.5 Amps  
Voltage Rating: 50V  
Insulator resistance: 50 Megohms min.  
Contacts resistance: 60 m ohms max.  
Dielectric withstanding: AC 250V  
Operating Temperature: -20°~+105°C  
Contact Material: Phosphor Bronze  
Insulator Material: High Temperature Thermoplastic, UL 94V-0 Black

Color :  
Finish: Gold plated  
◎Standard: Gold flash all over

**Recommended PCB Layout (PCB TOLERANCE ±0.05)**

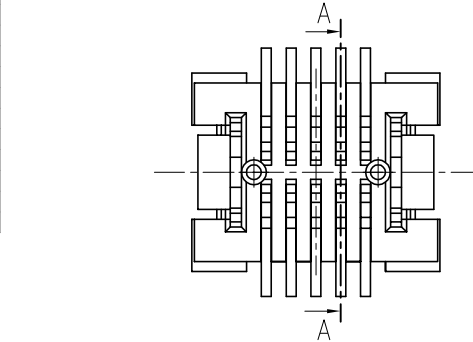
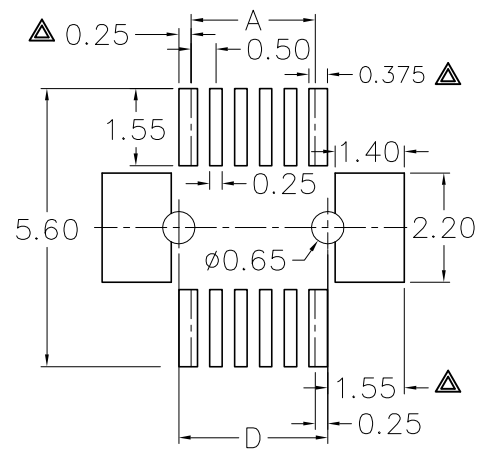
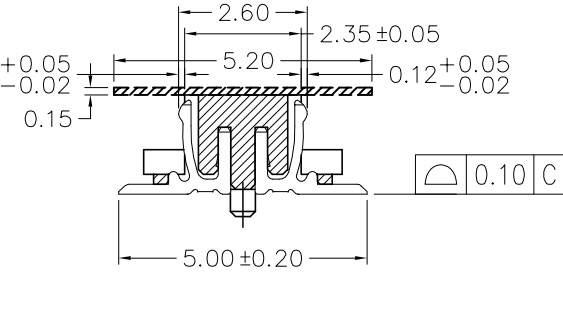
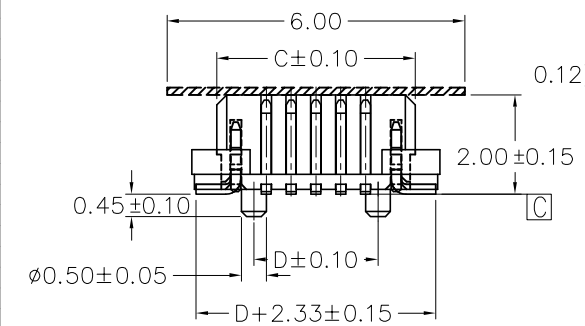


Diagram	Molding description
○	mass production & assemble mold
◎	sample & assemble mold
⊕	mass production & fix mold
⊕	sample & fix mold

Rev.	ECN Number	Description	Drawn	Date
20	EC2-4B0348	新增包材碼選項	洪銀雯	11/18 04'
21	EC3-4C0002	新增60PIN無導量產模	陳顯鑫	12/06 04'
22	EC3-4C0127	新增 18有導量產 修改 LAYOUT 0.63->0.375, 0.5->0.25, 1.30->1.55	洪銀雯	12/30 04'



GENERAL TOLERANCE	
XX. ± 0.50	XXX. ±
X. ± 0.30	.XXX ±
.X ± 0.25	.X* ± 4°
.XX ± 0.20	.X* ± 4°

SCALE	1=1
UNIT	MM
SIZE	A4/4

ORIGINAL DRAWN	林秋蘭
DATE	21/08/03'
CHECK	江坤容
DATE	12/30 04'
APPROVE	林錫錦
DATE	12/30 04'

DWG. NO.	5-08
TITLE	0.50mm Board To Board Plug Type (成品規格圖)
PARTS NO.	ZVE-XXS1-X-X-X-X-*

REV.	22
SHEET	1/1