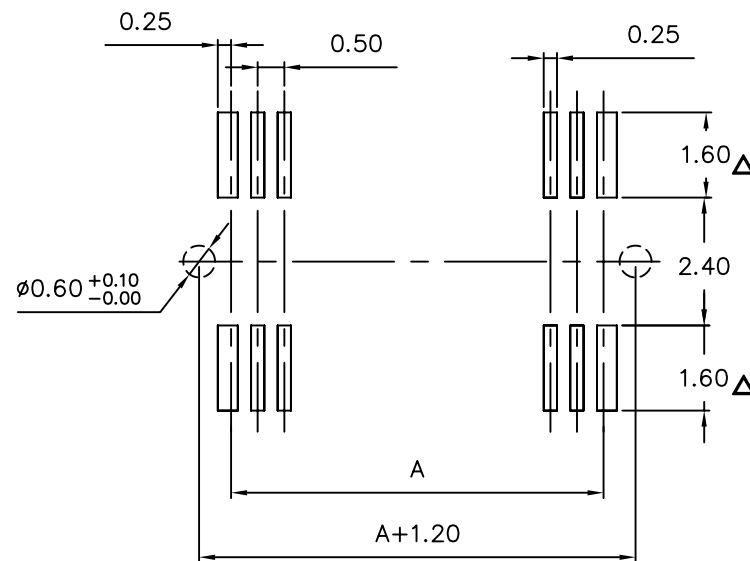
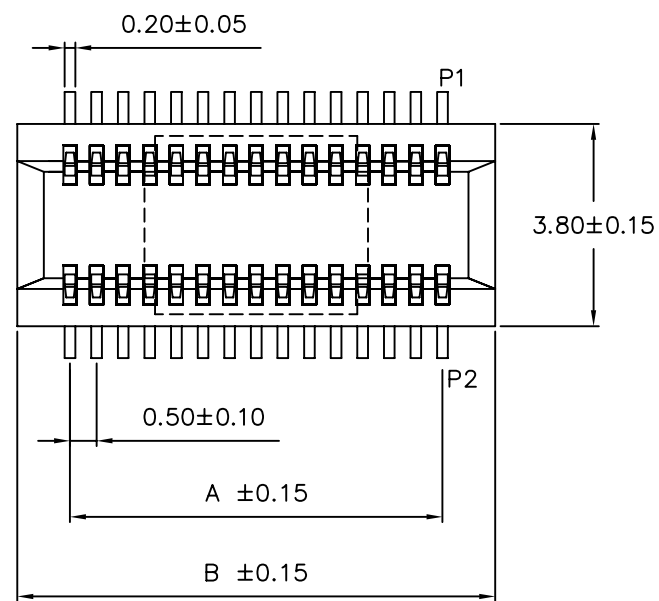


CIRCUITS	DIM A	DIM B
10	2.00	3.98
12	2.50	4.48
14	3.00	4.98
16	3.50	5.48
18	4.00	5.98
20	4.50	6.48
22	5.00	6.98
24	5.50	7.48
26	6.00	7.98
28	6.50	8.48
30	7.00	8.98
32	7.50	9.48
34	8.00	9.98
36	8.50	10.48
38	9.00	10.98
40	9.50	11.48
42	10.00	11.98
44	10.50	12.48
46	11.00	12.98
48	11.50	13.48
50	12.00	13.98
52	12.50	14.48
54	13.00	14.98
56	13.50	15.48
58	14.00	15.98
60	14.50	16.48
70	17.00	18.98
80	19.50	21.48
90	22.00	23.98
100	24.50	26.48
110	27.00	28.98
120	29.00	30.98

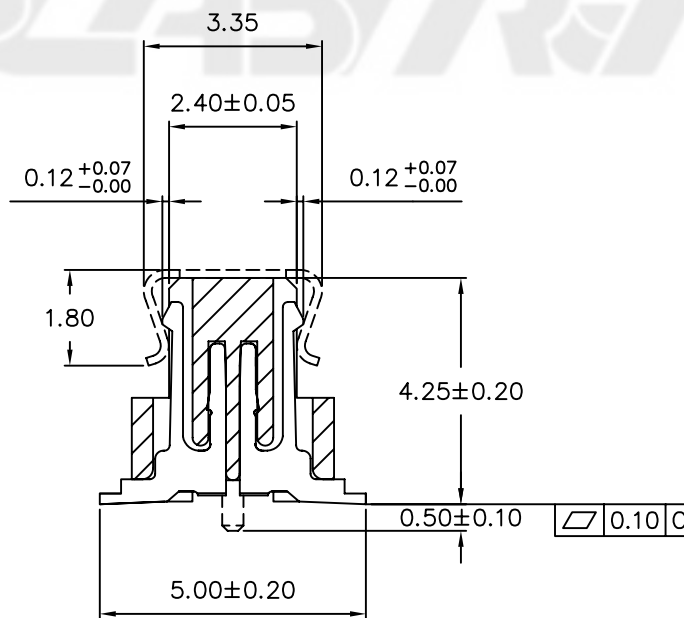
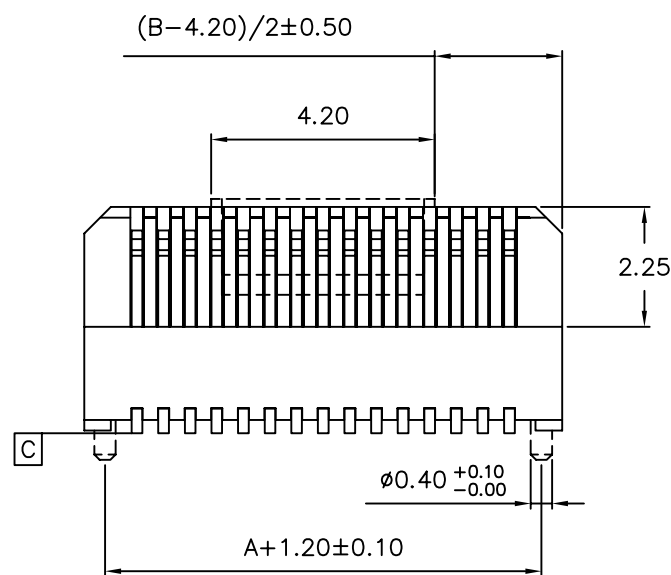
REV.	ECN NO.	DESCRIPTION	DRAWN	APPD.
16	EW06120047	----	Everard qi	Everard qi
17	EH07060012	Modify capton	LISS.XIANG	LISS.XIANG
18	EH10030009	MODIFY LAYOUT	WEI ZOU	MIKE.ZHANG

Recommended PCB Layout
(PCB TOLERANCE ± 0.05)



NOTES: (UNLESS OTHERWISE SPECIFIED)

- CURRENT RATING: 0.5 AMPERE.
- CONTACT RESISTANCE: 60 m ohms MAX. FOR INITIAL.
- DIELECTRIC WITHSTANDING VOLTAGE:
500V AC rms. PER ONE MINUTE.
- INSULATION RESISTANCE: 100 M ohms MIN..
- HARMFUL MATERIAL SHOULD BE COMPLIANT TO DOC.
"EI-0005" STANDARDS.
- PRODUCT NUMBER MATRIX:



ZVA-XXS8-X-X-*

Number of Contacts
Straight

NULL: TUBE
B: MPAD+REEL
E: MPAD+TUBE
K: REEL
C: FILM+REEL
0: W/O Locating peg
1: With Locating peg

Contact Plating

Definition	Code	
© Gold plated:		
flash	B	15 μ " F
10 μ "	E	30 μ " J
©Standard: B		
Prefix "V" means lead free plating		

PIN	FILM P/N	DIM.W
10~18	KT004	$\phi 4.0$
20~120	KT022	6.00



GENERAL TOLERANCE		SCALE	ORIGINAL DRAWN	DATE	DWG. NO.	TITLE	REV.
XX. ± 0.40	XXX. \pm	N/A	Ken Deng	06/04'07	600-0000-0216	CUSTOMER DRAWING	18
X. ± 0.25	.XXX \pm	UNIT	CHECK	DATE			
.X ± 0.15	X.° $\pm 3^\circ$	MM	MIKE ZHANG	03/03'10	PARTS NO.(INTENDED USE)	0.5P, Board To Board	SHEET
.XX ± 0.10	.X° $\pm 2^\circ$	SIZE	APPROVE		ZVA-XXS8-X-X-*	PLUG type	1/1