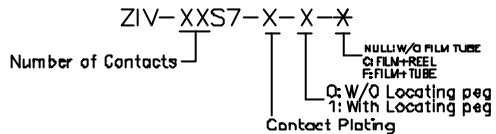
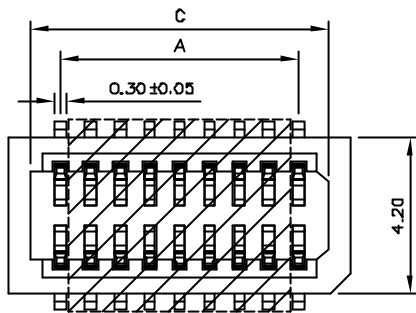


CIRCUITS	DIM A	DIM B	DIM C	REMARK(備註)	
				有導柱	無導柱
10	3.20	6.00	4.80		
12	4.00	6.80	5.60		
14	4.80	7.60	6.40		
16	5.60	8.40	7.20		
18	6.40	9.20	8.00		
20	7.20	10.00	8.80		
22	8.00	10.80	9.60		
24	8.80	11.60	10.40	⊕	
26	9.60	12.40	11.20	⊕	
28	10.40	13.20	12.00		
30	11.20	14.00	12.80		
32	12.00	14.80	13.60		
34	12.80	15.60	14.40		
36	13.60	16.40	15.20		
40	15.20	18.00	16.80		
50	19.20	22.00	20.80		
60	23.20	26.00	24.80		
70	27.20	30.00	28.80		
80	31.20	34.00	32.80		
90	35.20	38.00	36.80		
100	39.20	42.00	40.80		



Definition	Code
⊕ Tin plated:	A
⊕ Gold plated:	
flash B	15μ" F
10μ" E	30μ" J
⊕ Duplex plating:	
flash K	15μ" P
10μ" N	30μ" U
⊕ Standard:	B

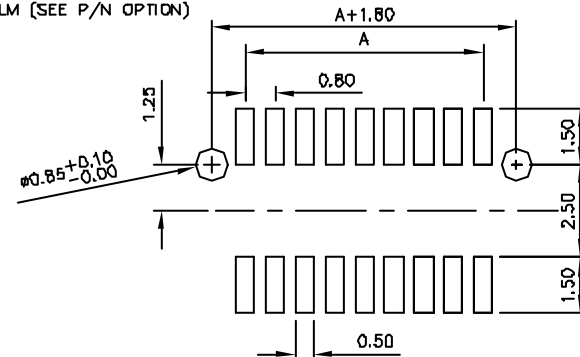
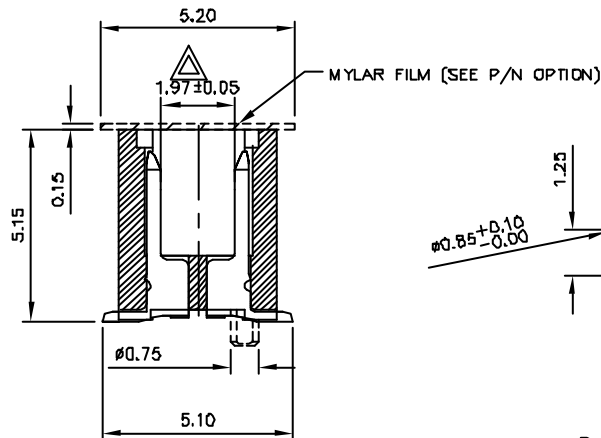
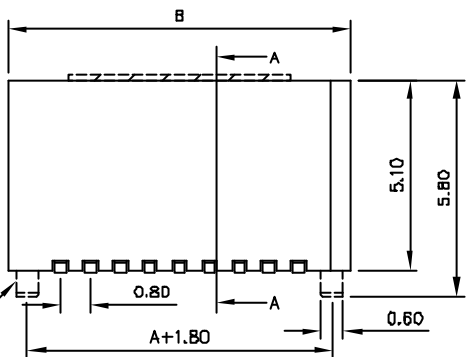
SPECIFICATIONS

Current Rating: 0.5 Amps  
 Insulator resistance: 100 Megohms Min.  
 Contact resistance: 70 m ohm Max.  
 Dielectric withstanding: AC 500 V  
 Operating Temperature: -40°C~+85°C  
 Contact Material: Phosphor bronze  
 Insulator Material: High Temperature Thermoplastic, UL 94V-0  
 Color : Natural  
 Finish: Gold all over nickel

1

2

3



Rev.	ECN Number	Description	Drawn	Date
2	DOC9211020	客戶要求新增備註	林秋蘭	03'/11/03



GENERAL TOLERANCE		SCALE	1=1	ORIGINAL DRAWN	許益菴	DATE	03'/09/19
Dimension	Angle	UNIT	MM	CHECK	江坤容	DATE	03'/11/03
±0.20	4°	SIZE	A4/5	APPROVE	李國賓	DATE	03'/11/03

DWG. NO.	4-01	TITLE	0.8mm Board To Board Socket Type 2 (成品規格圖)	REV.	2
F:\DWG\CDWG\ZIV\ZIV0T.DWG				SHEET	1/1
PARTS NO.	ZIV-XXS7-X-X-*				

A

B

C

D

E