

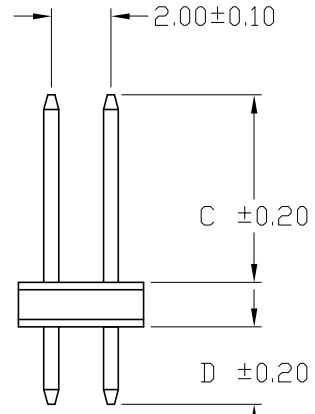
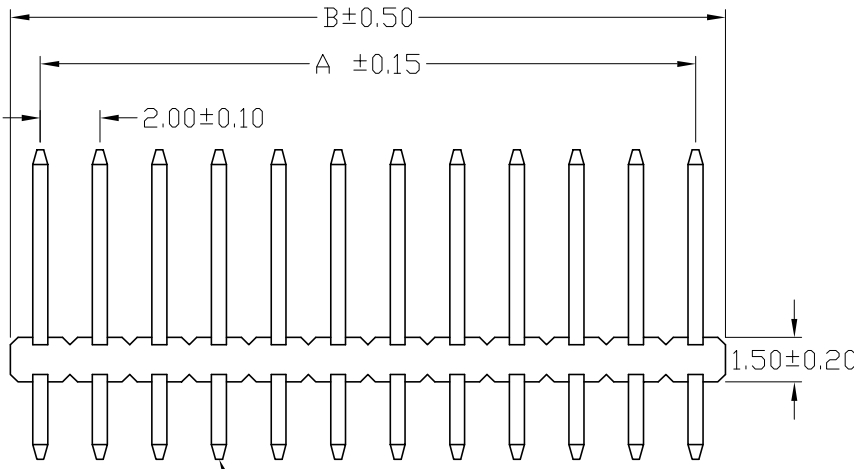
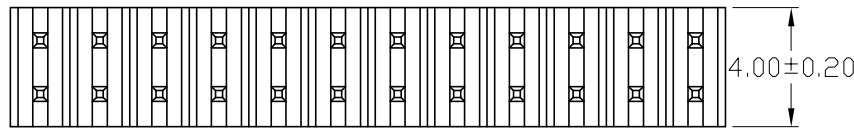
No. of Contacts	DIMENSIONS	
	A	B
4	2.00	4.00
6	4.00	6.00
8	6.00	8.00
10	8.00	10.00
12	10.00	12.00
14	12.00	14.00
16	14.00	16.00
18	16.00	18.00
20	18.00	20.00
22	20.00	22.00
24	22.00	24.00
26	24.00	26.00
28	26.00	28.00
30	28.00	30.00
32	30.00	32.00
34	32.00	34.00
36	34.00	36.00
38	36.00	38.00
40	38.00	40.00
42	40.00	42.00
44	42.00	44.00
46	44.00	46.00
48	46.00	48.00
50	48.00	50.00
52	50.00	52.00
54	52.00	54.00
56	54.00	56.00
58	56.00	58.00
60	58.00	60.00
62	60.00	62.00
64	62.00	64.00
66	64.00	66.00
68	66.00	68.00
70	68.00	70.00
72	70.00	72.00
74	72.00	74.00
76	74.00	76.00
78	76.00	78.00
80	78.00	80.00



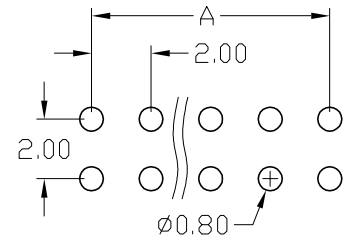
Definition	Code
◎ Tin plated:	A
◎ Gold plated:	
flash B 15μ"	F
10μ" E 30μ"	J
◎ Duplex plating:	
flash K 15μ"	P
10μ" N 30μ"	U
◎ Standard: B	
◎ Prefix 'V' means lead free plating.	
△ WA:mat tin, low lead <Lead Free>	

SPECIFICATIONS
 Current Rating: 1 Amp
 Insulator resistance: 5000 Megohms min.
 Dielectric withstanding: AC 500 V
 Operating Temperature: -40°~+105°C
 Contact Material: Copper alloy
 Insulator Material: High Temperature Thermoplastic, UL 94V-0
 Color : Black

Finish: Tin, Gold or Duplex plated
 Standard: Gold flash all over
 ◎ Note:
 ◎ Duplex plating: gold plated on contact area, Tin on solder area



Recommended PCB Layout (PCB TOLERANCE ±0.05)



◎ For illustration purpose the XTZ-XXS1-X-050/020 was shown

Diagram	Molding description
○	mass production & assemble mold
◎	sample & assemble mold
⊕	mass production & fix mold
⊕	sample & fix mold

Rev.	ECN Number	Description	Drawn	Date
15	EC2-530567	新增 XTZ-XXS1-X-107/028	陳賜農	03/23'05
16	EC2-560043	新增 XTZ-XXS1-X-091/028	詹益東	06/07'05
17	EC2-560237	新增 XTZ-XXS1-X-030/022 新增 鍍錫 電鍍代碼	詹益東	06/27'05



GENERAL TOLERANCE	
XX. ± 0.50	XXX. ±
X. ± 0.30	.XXX ±
.X ± 0.25	.X. ± 4°
.XX ± 0.20	.X. ± 4°

SCALE 1=1	UNIT MM	SIZE A4/4
-----------	---------	-----------

ORIGINAL DRAWN 陳美竹	DATE 03'/08/05
CHECK 林錫錦	DATE 06/27/'05
APPROVE 林錫錦	DATE 06/27/'05

DWG. NO. 2-23	TITLE 2.0X2.00mm HEADER (成品規格圖)	REV. 17
PARTS NO. XTZ-XXS1-X-C/D		SHEET 1/2