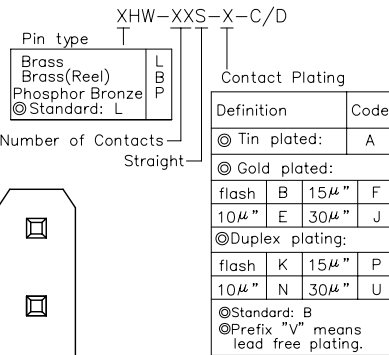
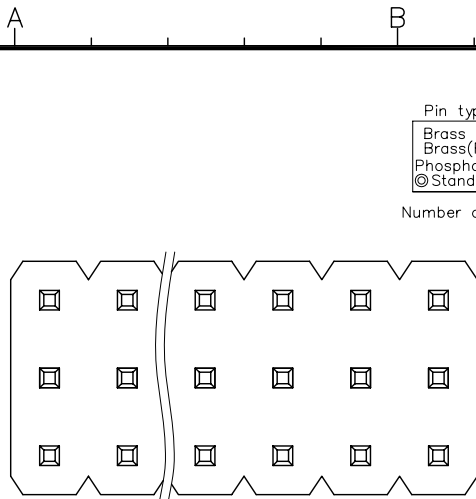


No. of Contacts	DIMENSIONS		REMARK (備註)
	A	B	
9	5.08	7.62	○
12	7.62	10.16	○
15	10.16	12.70	○
18	12.70	15.24	○
21	15.24	17.78	○
24	17.78	20.32	○
27	20.32	22.86	○
30	22.86	25.40	○
33	25.40	27.94	○
36	27.94	30.48	○
39	30.48	33.02	○
42	33.02	35.56	○
45	35.56	38.10	○
48	38.10	40.64	○
51	40.64	43.18	○
54	43.18	45.72	○
57	45.72	48.26	○
60	48.26	50.80	○
63	50.80	53.34	○
66	53.34	55.88	○
69	55.88	58.42	○
72	58.42	60.96	○
75	60.96	63.50	○
78	63.50	66.04	○
81	66.04	68.58	○
84	68.58	71.12	○
87	71.12	73.66	○
90	73.66	76.20	○
93	76.20	78.74	○
96	78.74	81.28	○
99	81.28	83.82	○
102	83.82	86.36	○
105	86.36	88.90	○
108	88.90	91.44	○
111	91.44	93.98	○
114	93.98	96.52	○
117	96.52	99.06	○
120	99.06	101.60	○

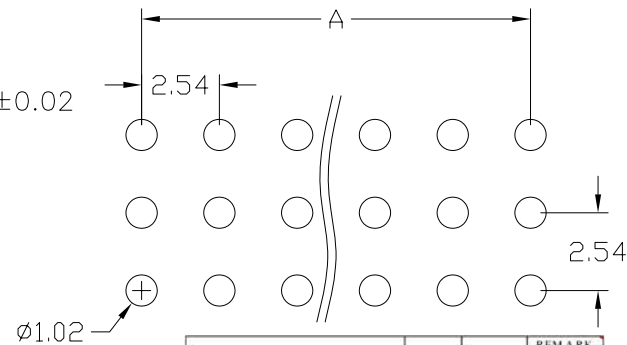


SPECIFICATIONS

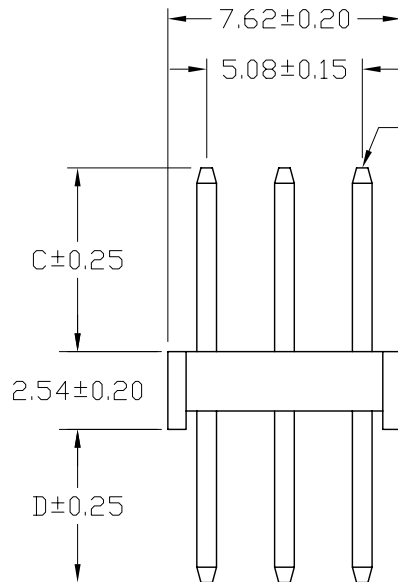
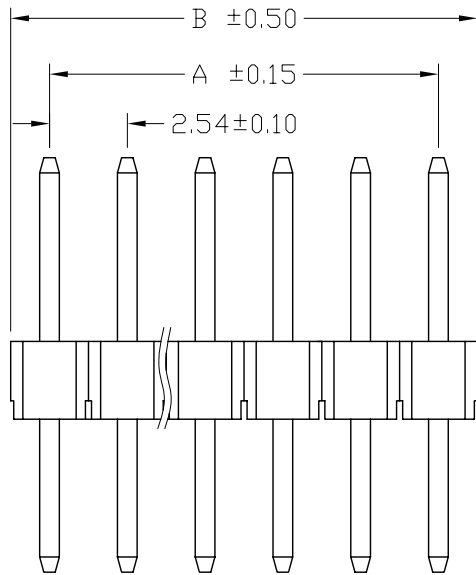
Current Rating: 3 Amps  
 Insulator resistance: 5000 Megohms min.  
 Dielectric withstanding: AC 500 V  
 Operating Temperature: -40°~+105°C  
 Contact Material: Copper alloy  
 Insulator Material: Thermoplastic, UL 94V-0  
 Color : Black

Finish: Tin, Gold or Duplex plated  
 ◎Standard: Gold flash all over  
 ◎Note:  
 Duplex plating: gold plated on contact area,  
 Tin on solder area

Recommended PCB Layout  
 (PCB TOLERANCE ±0.05)



PARTS NO.	C	D	REMARK (備註)
XHW-XXS-X-045/030	4.50	3.00	○
XHW-XXS-X-080/030	8.00	3.00	○
XHW-XXS-X-060/030	6.00	3.00	○
XHW-XXS-X-050/110	5.00	11.00	○
XHW-XXS-X-059/051	5.90	5.10	○
XHW-XXS-X-030/030	3.00	3.00	○
XHW-XXS-X-075/030	7.50	3.00	○



□ 0.64 ±0.02

Diagram	Molding description	Rev.	ECN Number	Description	Drawn	Date
○	mass production & assemble mold	2	EC2-480270	改為共用圖	邱若婷	08/16 '04'
◎	sample & assemble mold	3	EC2-530008	新增 XHW-XXS-X-030/030	陳美竹	03/02 '05'
⊕	mass production & fix mold	4	EC2-550220	新增 XHW-XXS-X-075/030	陳賜農	05/25 '05
⊕	sample & fix mold					



GENERAL TOLERANCE	
XX. ± 0.50	XXX. ±
X. ± 0.30	.XXX ±
.X ± 0.25	X.° ± 4°
.XX ± 0.20	.X° ± 4°

SCALE 1=1	UNIT MM	SIZE A4/4
-----------	---------	-----------

ORIGINAL DRAWN 邱若婷	DATE 08/16 '04'
CHECK 林錫錦	DATE 05/25 '05
APPROVE 林錫錦	DATE 05/25 '05

DWG. NO. 3-37	TITLE 2.54X2.54mm HEADER (成品規格圖)
F: \DWG\CDWG\HW\HWS00.DWG	
PARTS NO. XHW-XXS-X-C/D	

REV. 4
SHEET 1/1