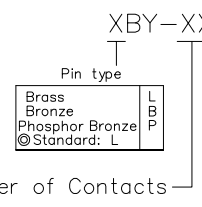
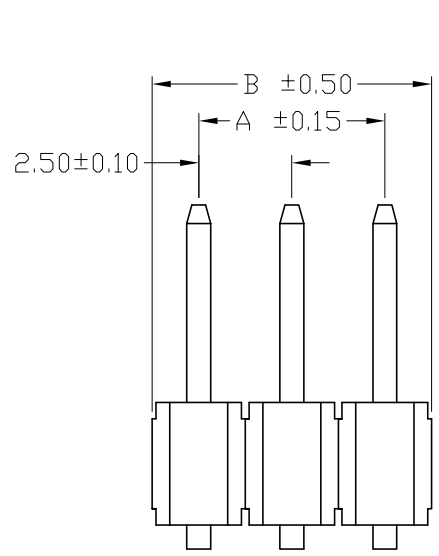


No. of Contacts	DIMENSIONS	
	A	B
3	5.00	7.50
4	7.50	10.00
5	10.00	12.50
6	12.50	15.00
7	15.00	17.50
8	17.50	20.00
9	20.00	22.50
10	22.50	25.00
11	25.00	27.50
12	27.50	30.00
13	30.00	32.50
14	32.50	35.00
15	35.00	37.50
16	37.50	40.00
17	40.00	42.50
18	42.50	45.00
19	45.00	47.50
20	47.50	50.00
21	50.00	52.50



Number of Contacts

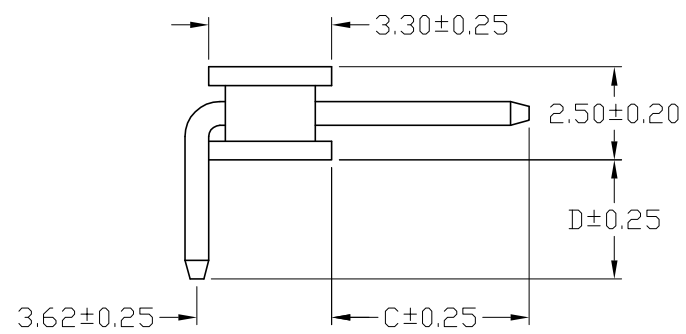
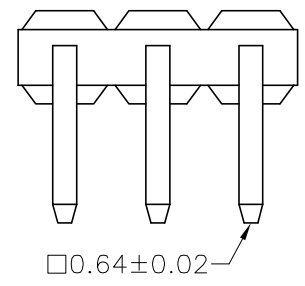
Contact Plating

Definition	Code		
◎ Tin plated:	A		
◎ Gold plated:			
flash	B	15μ"	F
10μ"	E	30μ"	J
◎Duplex plating:			
flash	K	15μ"	P
10μ"	N	30μ"	U
◎Standard: B			
◎Prefix "V" means lead free plating.			

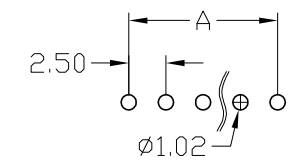
SPECIFICATIONS

Current Rating: 3 Amps
 Insulator resistance: 5000 Megohms Min.
 Dielectric withstanding: AC 500 V
 Operating Temperature: -40° - +105°C
 Contact Material: Copper Alloy
 Insulator Material: Polyester, UL 94V-0
 ◎Standard: P.B.T

◎Standard: Gold flash all over
 ◎Note: Duplex plating: gold plated on contact area, Tin on solder area



Recommended PCB Layout
 (PCB TOLERANCE ±0.05)



PARTS NO.	C	D
XBY-XXD1-X-060/030	6.00	3.00
XBY-XXD1-X-053/032	5.30	3.20

Rev.	ECN Number	Description	Drawn	Date
2	EC2-530370	新增 XBY-XXD1-X-060/030	陳顯鑫	03/15 05'

<p>Plastron Precision Co., Ltd. 樟翔精密股份有限公司</p>	GENERAL TOLERANCE		SCALE 1=1	ORIGINAL DRAWN 林秋蘭	DATE 02/26 03'	DWG. NO. X-XX F:\DWG\CDWG\B\BYR1Z.DWG PARTS NO. XBY-XXD1-X-C/D TITLE 成品規格圖 REV. 2 SHEET 1/1
	XX. ± 0.50	XXX. ±	UNIT MM	CHECK 江坤容	DATE 03/15 05'	
	X. ± 0.30	.XXX ±	SIZE A4/X	APPROVE 林錫錦	DATE 03/15 05'	
	.X ± 0.25	X. ± 4°				
.XX ± 0.20	.X ± 4°					