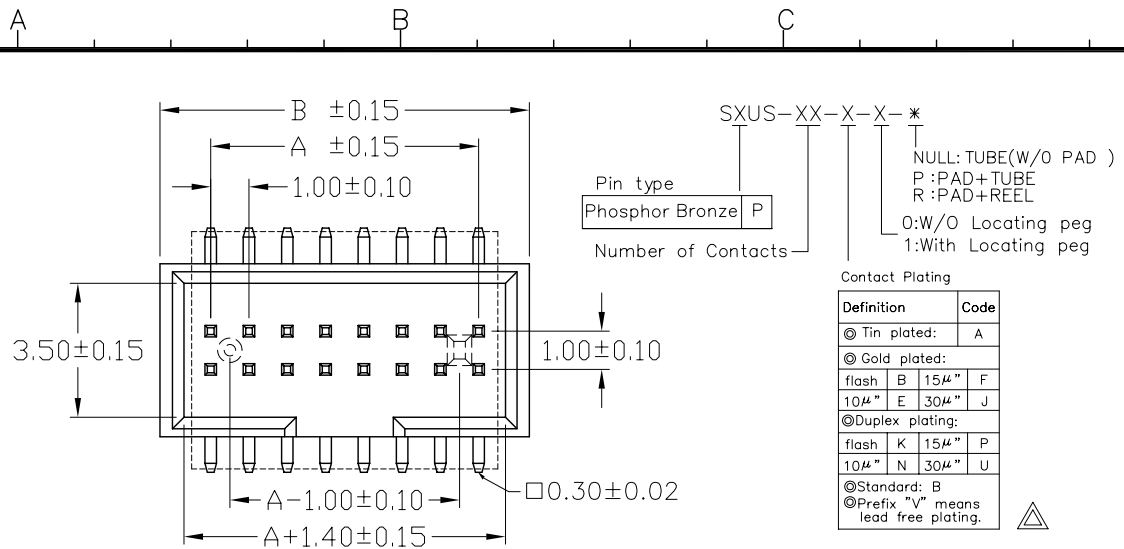


No. of Contacts	DIMENSIONS		REMARK (無導)	REMARK (有導)
	A	B		
10	4.00	6.65		⊕
12	5.00	7.65		
14	6.00	8.65		
16	7.00	9.65		⊕
18	8.00	10.65		⊕
20	9.00	11.65		⊕
22	10.00	12.65		
24	11.00	13.65		
26	12.00	14.65		
28	13.00	15.65		
30	14.00	16.65		⊕
32	15.00	17.65		
34	16.00	18.65		
36	17.00	19.65		
38	18.00	20.65		
40	19.00	21.65		⊕
42	20.00	22.65		
44	21.00	23.65		
46	22.00	24.65		
48	23.00	25.65		
50	24.00	26.65	⊕	⊕
52	25.00	27.65		
54	26.00	28.65		
56	27.00	29.65		
58	28.00	30.65		
60	29.00	31.65	⊕	⊕
62	30.00	32.65		
64	31.00	33.65		⊕



SPECIFICATIONS

Current Rating: 1 Amp
 Insulator resistance: 5000 Megohms min.
 Dielectric withstanding: AC 500 V
 Operating Temperature: -40°~+105°C
 Contact Material: Copper alloy
 Insulator Material: High Temperature Thermoplastic, UL 94V-0
 Color: Black

Finish: Tin, Gold plated
 ◎ Standard: Gold flash all over

Recommended PCB Layout
 (PCB TOLERANCE ±0.05)

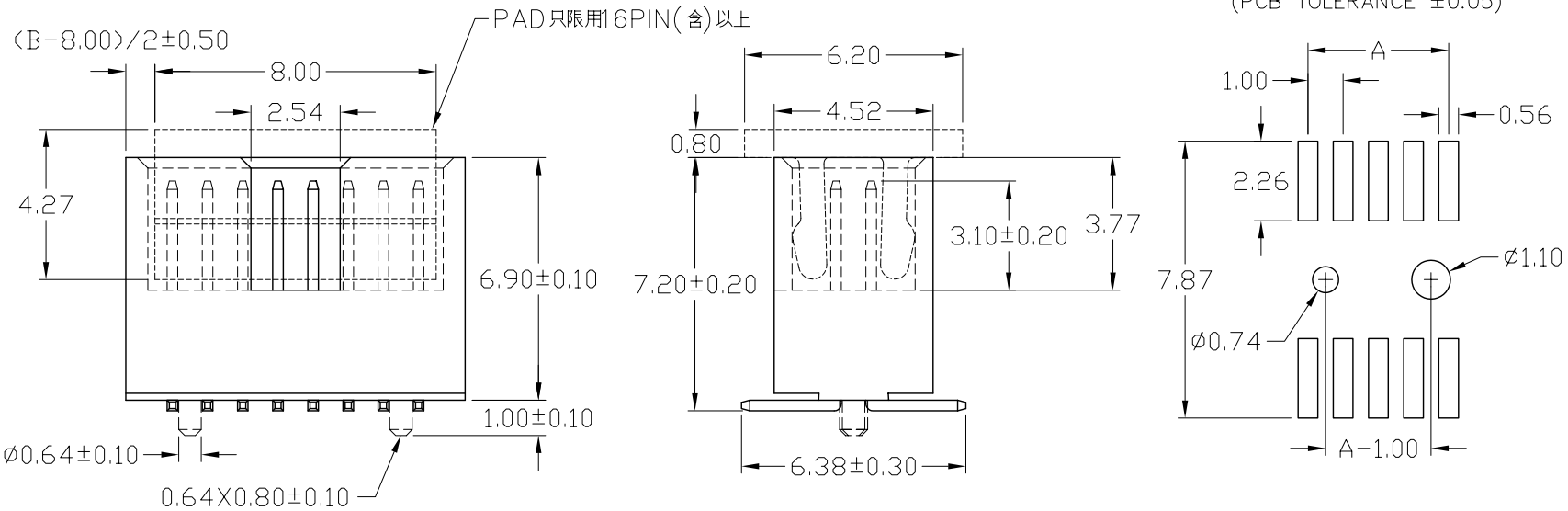


Diagram	Molding description
○	mass production & assemble mold
◎	sample & assemble mold
⊕	mass production & fix mold
⊕	sample & fix mold

Rev.	ECN Number	Description	Drawn	Date
2	DOC9306181	圖面新增 10,30 PIN	邱若婷	14/06/04'
3	EC3-5A0002	圖面新增環保電鍍選項	陳顯鑫	10/11 05'



GENERAL TOLERANCE		SCALE	ORIGINAL DRAWN	DATE	DWG. NO.	TITLE	REV.
XX. ± 0.50	XXX. ±	1=1	邱若婷	06/14/04'	X-XX F:\DWG\CDWG\US\USMOC.DWG	1.0*1.0mm BOX HEADER (成品規格圖)	3
X. ± 0.30	.XXX ±	UNIT	林錫錦	DATE			
.X ± 0.25	X. ± 4°	MM	林錫錦	10/11 05'			
.XX ± 0.20	.X ± 4°	SIZE	APPROVE	DATE	PARTS NO.		SHEET
		A4		10/11 05'	SXUS-XX-X-X-*		1/1