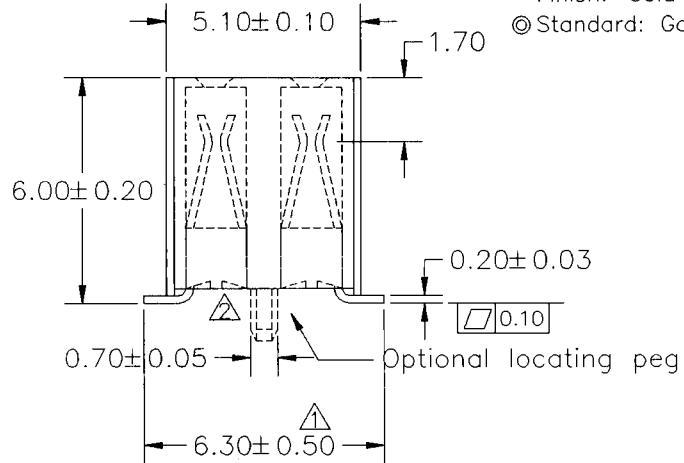
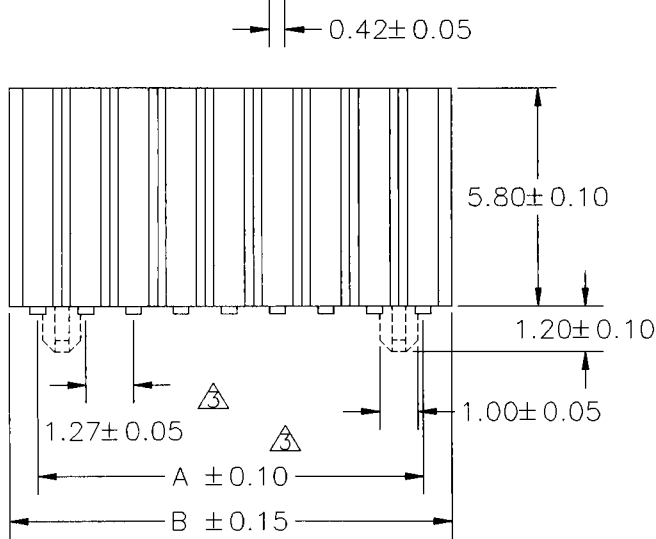
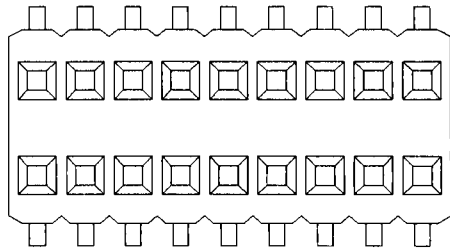


No. of Contacts	DIMENSIONS	
	A	B
6	2.54	4.01
8	3.81	5.28
10	5.08	6.55
12	6.35	7.82
14	7.62	9.09
16	8.89	10.36
18	10.16	11.63
20	11.43	12.90
22	12.70	14.17
24	13.97	15.44
26	15.24	16.71
28	16.51	17.98
30	17.78	19.25
32	19.05	20.52
34	20.32	21.79
36	21.59	23.06
38	22.86	24.33
40	24.13	25.60
42	25.40	26.87
44	26.67	28.14
46	27.94	29.41
48	29.21	30.68
50	30.48	31.95
52	31.75	33.22
54	33.02	34.49
56	34.29	35.76
58	35.56	37.03
60	36.83	38.30
62	38.10	39.57
64	39.37	40.84
66	40.64	42.11
68	41.91	43.38
70	43.18	44.65
72	44.45	45.92
74	45.72	47.19
76	46.99	48.46
78	48.26	49.73
80	49.53	51.00
82	50.80	52.27
84	52.07	53.54
86	53.34	54.81
88	54.61	56.08
90	55.88	57.35
92	57.15	58.62
94	58.42	59.89
96	59.69	61.16
98	60.96	62.43
100	62.23	63.70



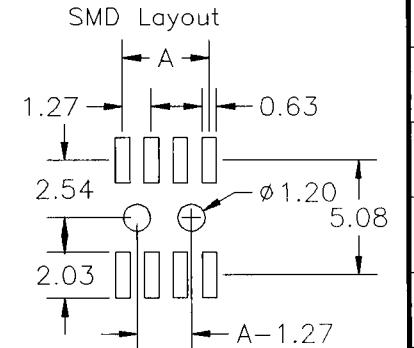
	6.30 ± 0.20	VERSION	6.30 ± 0.50	08-26-98'
	塑膠長變更	VERSION	如圖所示	08-26-98'
	導柱形狀改變	VERSION	如圖所示	10-21-98'
	塑膠長變更	VERSION	如圖所示	02-06-99'
	1.27 ± 0.05	VERSION	1.27 ± 0.10	02-06-99'
	A ± 0.05	VERSION	A ± 0.10	02-06-99'
	SPRM2-XX-XXX-X	VERSION	SPRMZ-XX-X-X	09-04-00'

SPECIFICATIONS

Current Rating: 1 Amp
 Insulator resistance: 5000 Megohms min.
 Contact resistance: 20 m ohms max.
 Dielectric withstanding: AC 500 V
 Operating Temperature: -40~+105°C
 Max Processing Temp: 230° for 30 seconds
 Contact Material: Phosphor Bronze.
 Insulator Material: Polyester, UL 94V-0
 ©Standard: Nylon-6T

Finish: Gold plated
 ©Standard: Gold flash all over

Recommended P.C.Board



標準規格

PLASTREN
 Plastron Precision Co., Ltd.
 樟翔精密股份有限公司

GENERAL TOLERANCE	
XX. ±	XXX. ±
X. ±	.XXX ±
.X ±	.X ±
.XX ±	.X ±

SCALE 5=1
 UNIT MM
 SIZE A4

DRAWN 林秋蘭
 CHECK 林秋蘭
 APPROVE 林秋蘭

DATE 09-04-01'
 DATE 9-04-01'
 DATE -04-01'

DWG. NO. F:\DWG\CDWG\SPRM\SPRMZ0G.DWG
 PARTS NO. SPRMZ-XX-X-X

TITLE 成品規格圖
 REV. 1.4
 SHEET 1/2