

No. of Contacts	DIMENSIONS		REMARK (備註)
	A	B	
6	4.00	6.50	○
8	6.00	8.50	○
10	8.00	10.50	○
12	10.00	12.50	○
14	12.00	14.50	○
16	14.00	16.50	○
18	16.00	18.50	○
20	18.00	20.50	○
22	20.00	22.50	○
24	22.00	24.50	○
26	24.00	26.50	○
28	26.00	28.50	○
30	28.00	30.50	○
32	30.00	32.50	○
34	32.00	34.50	○
36	34.00	36.50	○
38	36.00	38.50	○
40	38.00	40.50	○
42	40.00	42.50	○
44	42.00	44.50	○
46	44.00	46.50	○
48	46.00	48.50	○
50	48.00	50.50	○
52	50.00	52.50	○
54	52.00	54.50	○
56	54.00	56.50	○
58	56.00	58.50	○
60	58.00	60.50	○
62	60.00	62.50	○
64	62.00	64.50	○
66	64.00	66.50	○
68	66.00	68.50	○
70	68.00	70.50	○
72	70.00	72.50	○
74	72.00	74.50	○
76	74.00	76.50	○
78	76.00	78.50	○
80	78.00	80.50	○

PBTF-XX-X-036

Number of Contacts | Pin Length mm  
Contact Plating

Definition	Code
◎ Tin plated :	A
◎ Gold plated:	
0.1μ" 0.0025 μm(Min)	B
0.8μ" 0.02 μm(Min)	E
10μ" 0.25 μm(Min)	N
◎ Duplex plating:	
0.1μ" 0.0025 μm(Min)	K
0.8μ" 0.02 μm(Min)	L
10μ" 0.25 μm(Min)	M
◎ Standard: B	
◎ VA: Tin plated(Lead Free)	
◎ VB: Gold plated(Lead Free)	

**SPECIFICATIONS**  
 Current Rating: 1 Amp  
 Insulator resistance: 5000 Megohms min.  
 Contact resistance: 20 m ohms max.  
 Dielectric withstanding: AC 500 V  
 Operating Temperature: -40°~+105°C  
 Contact Material: Phosphor Bronze  
 Insulator Material: Polyester, UL 94V-0  
 ◎Standard: Nylon-6T  
 Finish: Tin, Gold or Duplex plated  
 ◎Standard: Gold flash all over  
 ◎Note:  
 Duplex plating: gold plated on contact area, Tin on solder area

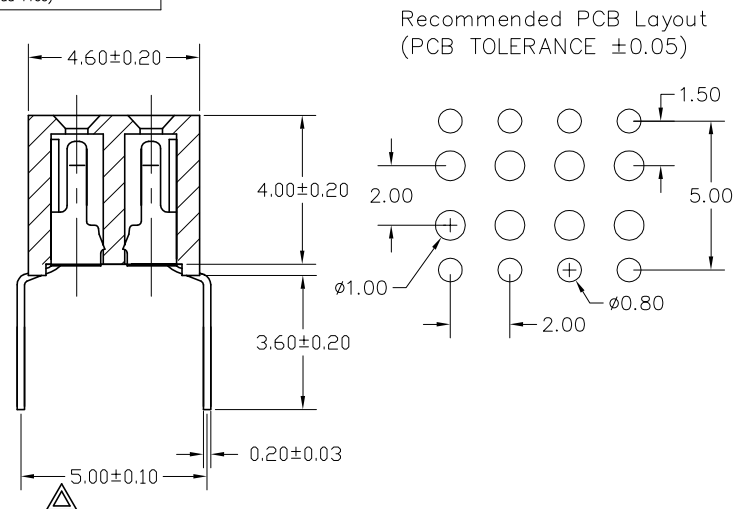
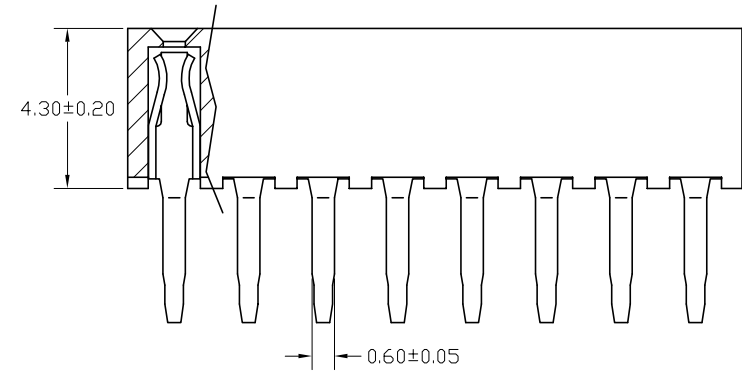
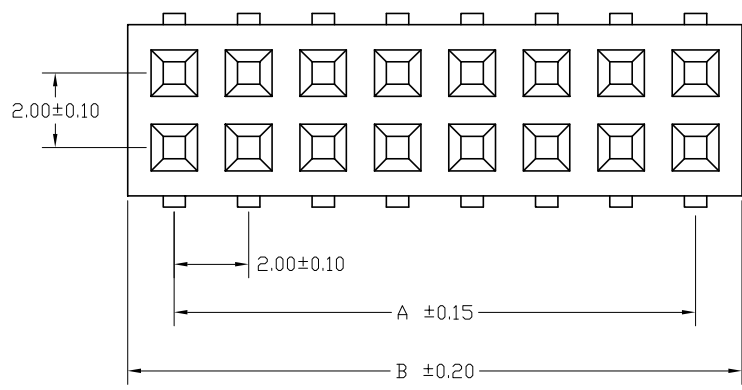


Diagram	Molding description	Rev.	ECN Number	Description	Drawn	Date
○	mass production & assemble mold	3	EC2-470669	新增電鍍選項	洪銀雯	07/29/04'
◎	sample & assemble mold					
⊕	mass production & fix mold					
⊕	sample & fix mold					

<p>Plastron Precision Co., Ltd. 樟翔精密股份有限公司</p>	GENERAL TOLERANCE		SCALE ?=1	ORIGINAL DRAWN 江坤容	DATE 01-01-01'	DWG. NO. X-XX	TITLE 2.0x2.0mm SOCKET DUAL (成制規格圖)	REV. 3
	XX. ± 0.50	XXX. ±	UNIT MM	CHECK 林錫錦	DATE 07/29/04'	F:\DWG\CDWG\PBT\PBTOA.DWG		SHEET 1/1
	X. ± 0.30	.XXX ±	SIZE A4	APPROVE 林錫錦	DATE 07/29/04'	PARTS NO. PBTF-XX-X-036		
	.X ± 0.25	.X* ± 4°						
.XX ± 0.20	.X* ± 4°							