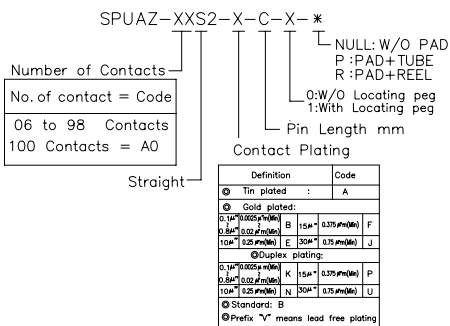
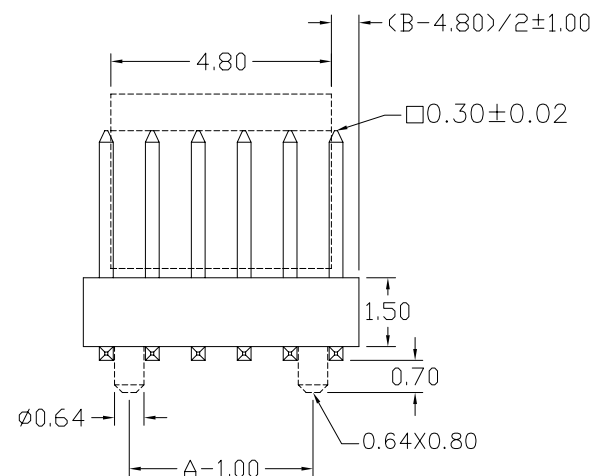
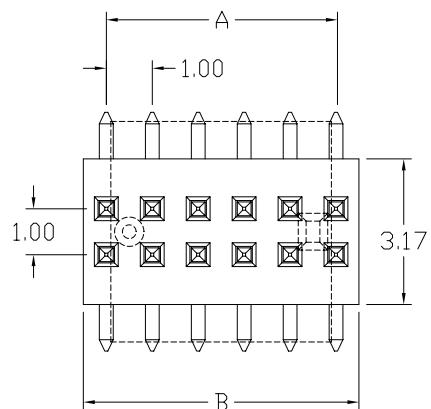
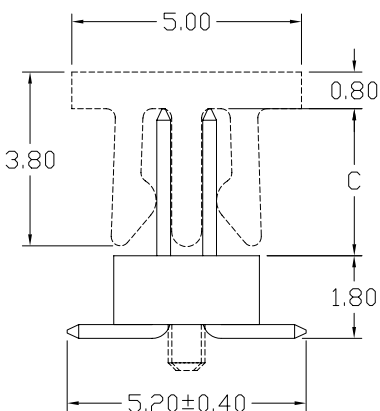


No. of Contacts	DIMENSIONS		REMARK (備註)
	A	B	
6	2.00	3.00	○
8	3.00	4.00	○
10	4.00	5.00	○
12	5.00	6.00	○
14	6.00	7.00	○
16	7.00	8.00	○
18	8.00	9.00	○
20	9.00	10.00	○
22	10.00	11.00	○
24	11.00	12.00	○
26	12.00	13.00	○
28	13.00	14.00	○
30	14.00	15.00	○
32	15.00	16.00	○
34	16.00	17.00	○
36	17.00	18.00	○
38	18.00	19.00	○
40	19.00	20.00	○
42	20.00	21.00	○
44	21.00	22.00	○
46	22.00	23.00	○
48	23.00	24.00	○
50	24.00	25.00	○
52	25.00	26.00	○
54	26.00	27.00	○
56	27.00	28.00	○
58	28.00	29.00	○
60	29.00	30.00	○
62	30.00	31.00	○
64	31.00	32.00	○
66	32.00	33.00	○
68	33.00	34.00	○
70	34.00	35.00	○
72	35.00	36.00	○
74	36.00	37.00	○
76	37.00	38.00	○
78	38.00	39.00	○
80	39.00	40.00	○
82	40.00	41.00	○
84	41.00	42.00	○
86	42.00	43.00	○
88	43.00	44.00	○
90	44.00	45.00	○
92	45.00	46.00	○
94	46.00	47.00	○
96	47.00	48.00	○
98	48.00	49.00	○
100	49.00	50.00	○

Diagram	Molding description
○	mass production & assemble mold
⊙	sample & assemble mold
⊕	mass production & fix mold
⊗	sample & fix mold



PARTS NO.	C	REMARK (備註)
SXUAZ-XXS2-X-016-X-*	1.60	○
SXUAZ-XXS2-X-017-X-*	1.70	○
SXUAZ-XXS2-X-019-X-*	1.90	○
SXUAZ-XXS2-X-020-X-*	2.00	
SXUAZ-XXS2-X-030-X-*	3.00	
SXUAZ-XXS2-X-032-X-*	3.20	○
SXUAZ-XXS2-X-034-X-*	3.40	
SXUAZ-XXS2-X-038-X-*	3.80	
SXUAZ-XXS2-X-040-X-*	4.00	○
SXUAZ-XXS2-X-045-X-*	4.50	

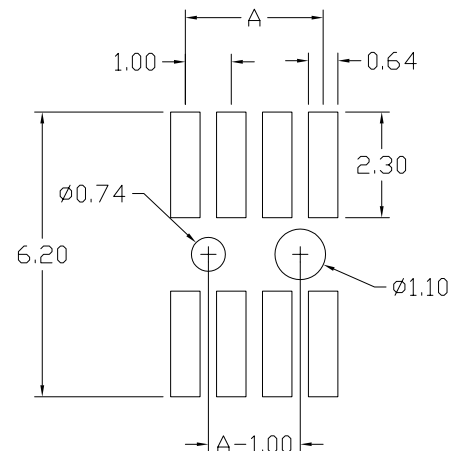


SPECIFICATIONS

Current Rating: 1 Amp
 Insulator resistance: 5000 Megohms min.
 Dielectric withstanding: AC 500 V
 Operating Temperature: -40°~+105°C
 Contact Material: Copper alloy
 Insulator Material: High Temperature Thermoplastic, UL 94V-0(L.C.P)
 Color : Black

Finish: Tin, Gold plated
 ◎ Standard: Gold flash all over

Recommended PCB Layout (PCB TOLERANCE ±0.05)



Rev.	ECN Number	Description	Drawn	Date
3	EC2-480303	新增 SPUAZ-XXS2-X-038-X	洪銀雯	08/18/04'
4	EC2-4A0396	新增 SPUAZ-XXS2-X-017-X	陳美竹	10/21 04'
5	EC3-630105	修改規格說明	詹益東	03/21 06'



GENERAL TOLERANCE	
XX. ± 0.50	XXX. ±
X. ± 0.30	.XXX ±
.X ± 0.25	X.° ± 4°
.XX ± 0.20	.X° ± 4°

SCALE	1=1
UNIT	MM
SIZE	A4/6

ORIGINAL DRAWN	邱若婷	DATE	02/01/04'
CHECK	林錫錦	DATE	03/21 06'
APPROVE	林錫錦	DATE	03/21 06'

DWG. NO.	F:\DWG\CDWG\UA\UAZM1B.DWG
PARTS NO.	SPUAZ-XXS2-X-C-X-*

TITLE	1.0X1.0mm SMD HEADER (成品規格圖)
-------	------------------------------

REV.	5
SHEET	1/1