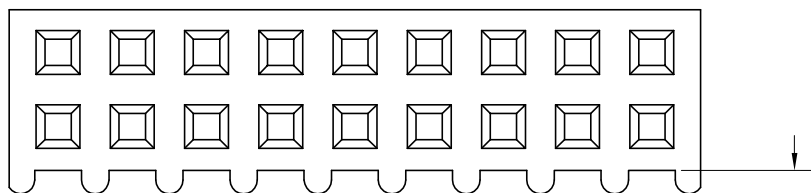


PWFZ-XXS-X-035

No. of Contacts	DIMENSIONS	
	A	B
6	5.08	8.42
8	7.62	10.96
10	10.16	13.50
12	12.70	16.04
14	15.24	18.58
16	17.78	21.12
18	20.32	23.66
20	22.86	26.20
22	25.40	28.74
24	27.94	31.28
26	30.48	33.82
28	33.02	36.36
30	35.56	38.90
32	38.10	41.44
34	40.64	43.98
36	43.18	46.52
38	45.72	49.06
40	48.26	51.60
42	50.80	54.14
44	53.34	56.68
46	55.88	59.22
48	58.42	61.76
50	60.96	64.30
52	63.50	66.84
54	66.04	69.38
56	68.58	71.92
58	71.12	74.46
60	73.66	77.00
62	76.20	79.54
64	78.74	82.08
66	81.28	84.62
68	83.82	87.16
70	86.36	89.70
72	88.90	92.24
74	91.44	94.78
76	93.98	97.32
78	96.52	99.86
80	99.06	101.50



Contact Plating

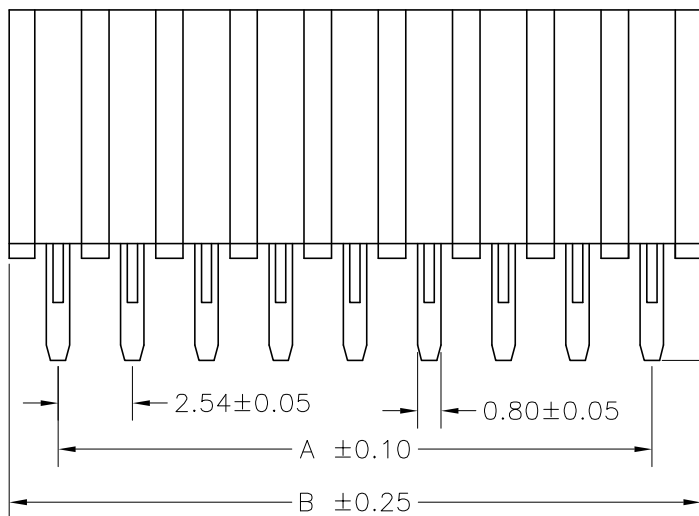
Definition	Code	
◎ Tin plated:	A	
◎ Gold plated:		
flash B	15μ"	F
10μ" E	30μ"	J
◎ Duplex plating:		
flash K	15μ"	P
10μ" N	30μ"	U
◎ Standard: B		
◎ Prefix 'V' means lead free plating.		

SPECIFICATIONS

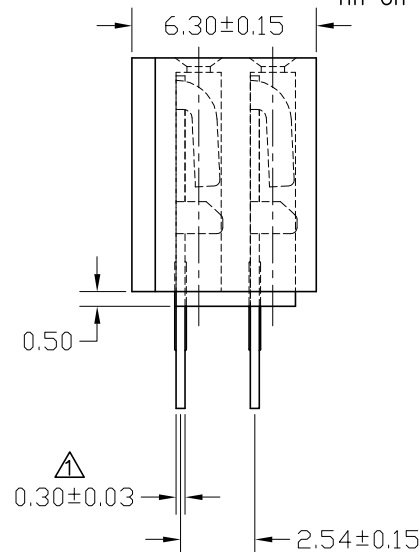
Current Rating: 3 Amps
 Insulator resistance: 5000 Megohms min.
 Contact resistance: 20 m ohms max.
 Dielectric withstanding: AC 500 V
 Operating Temperature: -40°~+105°C
 Contact Material: Phosphor bronze
 Insulator Material: Polyester, UL 94V-0

◎ Standard: P.B.T
 Finish: Tin, Gold or Duplex plated
 ◎ Standard: Gold flash all over
 ◎ Note:

Duplex plating: gold plated on contact area,
 Tin on solder area



8.50±0.15
 3.50±0.25



標準規格

0.20±0.03	0.30±0.03	30-03-00'
-----------	-----------	-----------



GENERAL TOLERANCE	
XX. ±	XXX. ±
X. ± 0.20	.XXX ±
.X ± 0.10	X.* ±
.XX ± 0.05	.X.* ±

SCALE	4=1
UNIT	MM
SIZE	A4

DRAWN	林秋蘭
CHECK	江坤容
APPROVE	陳興中

DATE	30-03-00'
DATE	30-03-00'
DATE	30-03-00'

DWG. NO.	F:\DWG\CDWG\PWF\PWFZS00.DWG
PARTS NO.	PWFZ-XXS-X-035

TITLE	成品規格圖
-------	-------

REV.	1.1
SHEET	1/2