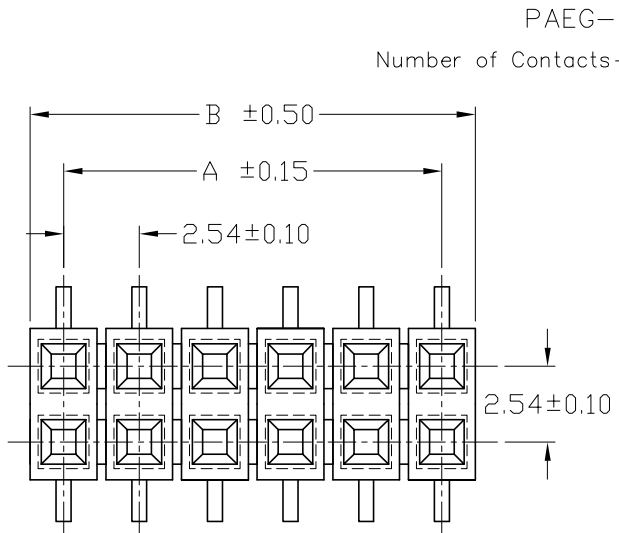


No. of Contacts	DIMENSIONS		REMARK (備註)
	A	B	
2		2.54	○
4	2.54	5.08	○
6	5.08	7.62	○
8	7.62	10.16	○
10	10.16	12.70	○
12	12.70	15.24	○
14	15.24	17.78	○
16	17.78	20.32	○
18	20.32	22.86	○
20	22.86	25.40	○
22	25.40	27.94	○
24	27.94	30.48	○
26	30.48	33.02	○
28	33.02	35.56	○
30	35.56	38.10	○
32	38.10	40.64	○
34	40.64	43.18	○
36	43.18	45.72	○
38	45.72	48.26	○
40	48.26	50.80	○
42	50.80	53.34	○
44	53.34	55.88	○
46	55.88	58.42	○
48	58.42	60.96	○
50	60.96	63.50	○
52	63.50	66.04	○
54	66.04	68.58	○
56	68.58	71.12	○
58	71.12	73.66	○
60	73.66	76.20	○
62	76.20	78.74	○
64	78.74	80.98	○*



PAEG-XX-X-030-\*

Number of Contacts

NULL: PBT  
F: Nylon-6T  
Pin Length mm

Contact Plating

Definition	Code
◎ Tin plated:	A
◎ Gold plated:	
flash B 15μ"	F
10μ" E 30μ"	J
◎ Duplex plating:	
flash K 15μ"	P
10μ" N 30μ"	U
◎ Standard: B	
◎ Prefix "V" means lead free plating.	

SPECIFICATIONS

Current Rating: 3 Amps  
 Insulator resistance: 5000 Megohms min.  
 Contacts resistance: 20 m ohms max.  
 Dielectric withstanding: AC 500 V  
 Operating Temperature: -40°~+105°C  
 Contact Material: Phosphor bronze  
 Insulator Material: Thermoplastic, UL 94V-0(PBT)  
 Color: Black

Finish: Tin, Gold or Duplex black

◎ Standard: Gold flash all over

◎ Note: Duplex plating: gold plated on contact area, Tin on solder area

Recommended PCB Layout  
(PCB TOLERANCE ±0.05)

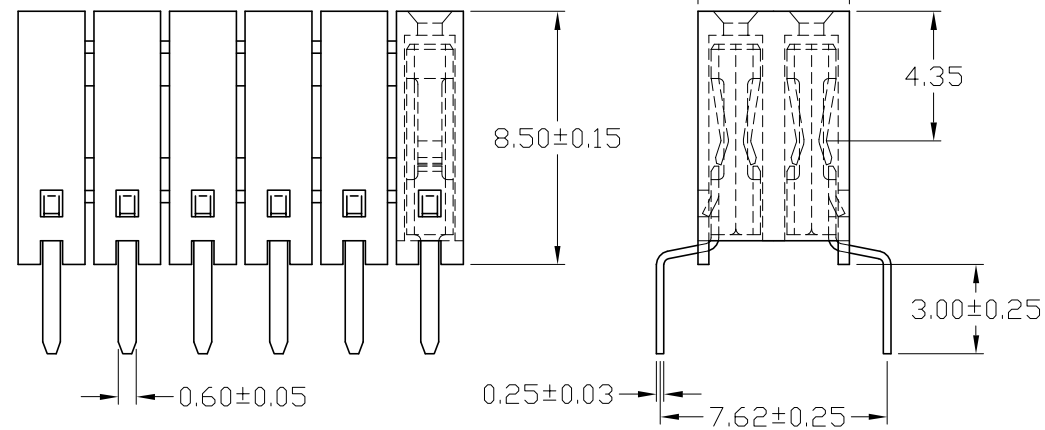
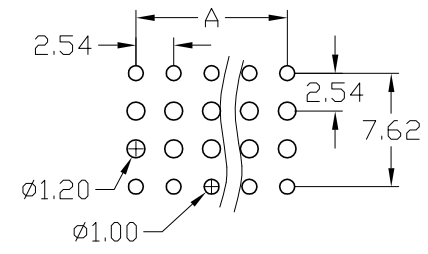


Diagram	Molding description	Rev.	ECN Number	Description	Drawn	Date
○	mass production & assemble mold	2	EC2-4B0258	新增環保電鍍料號	邱若婷	11/12'04'
◎	sample & assemble mold	3	EC2-530569	新增耐高溫材質	陳賜農	03/23'05
⊕	mass production & fix mold					
⊗	sample & fix mold					



GENERAL TOLERANCE		SCALE 4=1	ORIGINAL DRAWN 邱若婷	DATE 11/11'04'	DWG. NO. X-XX	TITLE	REV. 3
XX. ± 0.50	XXX. ±	UNIT MM	CHECK 江坤容	DATE 03/23'05	F:\DWG\CDWG\PAE\PAEGSOA.DWG	2.54X2.54mm SOCKET (成品規格圖)	SHEET 1/1
X. ± 0.30	.XXX ±		APPROVE 林錫錦	DATE 03/23'05	PARTS NO. PAEG-XX-X-030-*		
.X ± 0.25	X.* ± 4'	SIZE A4					
.XX ± 0.20	.X.* ± 4'						