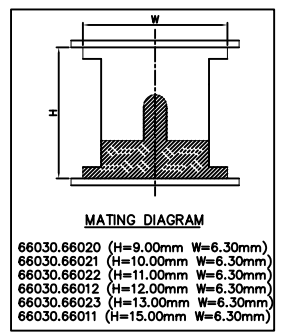
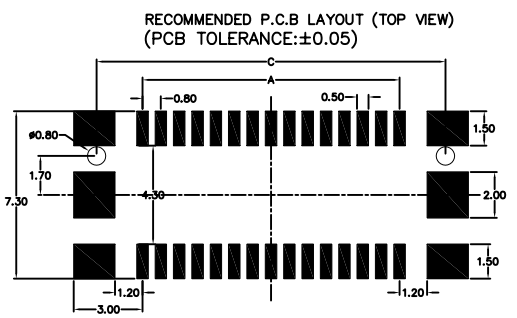
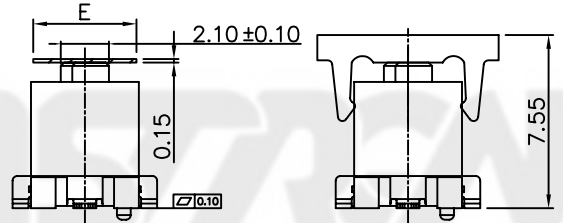
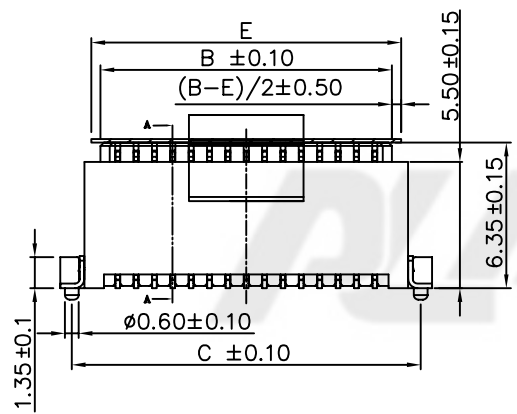
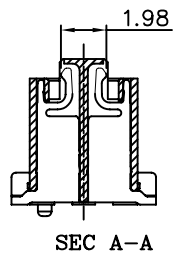
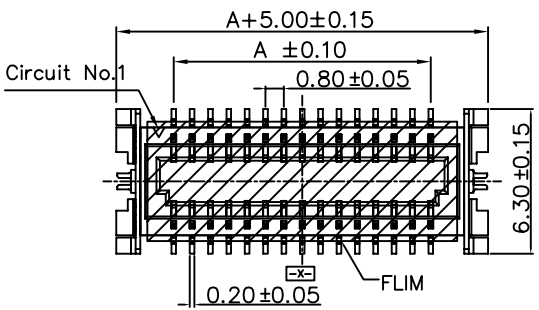


100	39.2	40.7	43.2	⊕
98	38.4	39.9	42.4	
96	37.6	39.1	41.6	
94	36.8	38.3	40.8	
92	36.0	37.5	40.0	
90	35.2	36.7	39.2	
88	34.4	35.9	38.4	
86	33.6	35.1	37.6	
84	32.8	34.3	36.8	
82	32.0	33.5	36.0	
80	31.2	32.7	35.2	
78	30.4	31.9	34.4	
76	29.6	31.1	33.6	
74	28.8	30.3	32.8	
72	28.0	29.5	32.0	
70	27.2	28.7	31.2	
68	26.4	27.9	30.4	
66	25.6	27.1	29.6	
64	24.8	26.3	28.8	
62	24.0	25.5	28.0	
60	23.2	24.7	27.2	⊕
58	22.4	23.9	26.4	
56	21.6	23.1	25.6	
54	20.8	22.3	24.8	
52	20.0	21.5	24.0	
50	19.2	20.7	23.2	⊕
48	18.4	19.9	22.4	
46	17.6	19.1	21.6	
44	16.8	18.3	20.8	
42	16.0	17.5	20.0	
40	15.2	16.7	19.2	⊕
38	14.4	15.9	18.4	
36	13.6	15.1	17.6	
34	12.8	14.3	16.8	
32	12.0	13.5	16.0	
30	11.2	12.7	15.2	⊕
28	10.4	11.9	14.4	
26	9.6	11.1	13.6	
24	8.8	10.3	12.8	
22	8.0	9.50	12.0	⊕
20	7.2	8.7	11.2	⊕
18	6.4	7.9	10.4	
16	5.6	7.1	9.6	
14	4.8	6.3	8.8	
12	4.0	5.5	8.0	
10	3.2	4.7	7.2	
CIRCUITS	DIM.A	DIM.B	DIM.C	W/O PEG WITH PEG

REV.	ECN NO.	DESCRIPTION	DRAWN
12	CH10100132	新增20pin规格	WEI ZOU



Note  
 1.All Dimensions are in Millimeters.  
 2.Material:  
 Housing:High temperature thermoplastic 94 V-0 .  
 Contact:Copper alloys  
 3.Dimension shell be inerpreted per"ansi Y14.5M-1994"  
 4.Current Rating: 0.5 A AC/DC Max.  
 Voltage: 50V AC /DC .  
 Dielectric withstanding: ; 500 V AC  
 Insulation resistance: 100M ohms min.  
 5.Contact resistance: 70mΩ max.  
 6.Operating Temperature: -40~+85°  
 7.Harmful Material Should Be Compliant To  
 Doc"El-0005"Standrads.  
 8.Product number matrix:

66030-XX-X-X-X-X

no. of contact

⊕ NULL:HALOGEN  
 H:HALOGEN FREE

⊕ NULL:TUBE(W/O FILM)  
 K: REEL(W/O FILM)  
 C: FILM+REEL  
 F: FILM+TUBE  
 R: PAD+REEL  
 P: PAD+TUBE  
 E: MPAD+TUBE  
 B: MPAD+REEL

0:W/O Locating peg  
 1:With Locating peg

Definition	Code
⊕ Tin plated:	A
⊕ Gold plated:	
flash B	15μ* F
10μ* E	30μ* J
⊕Standard:	B
⊕Prefix "V" means lead free plating	

PIN數	FILM(E)
22PIN(含)以下	6.0X4.0
22PIN以上	13.5X4.5



GENERAL TOLERANCE		SCALE 1=1	ORIGINAL DRAWN TOM	DATE 04/19'04	DWG. NO. 600-0000-002	TITLE CUSTOMER DRAWING FOR 0.8mm BTB PLUG	REV. 12
XX. ± 0.50	XXX. ±	UNIT MM	CHECK LANE SUN	DATE 10/22'10	PARTS NO.(INTENDED USE) 66030-XX-X-X-X-X	SHEET 1/3	
X. ± 0.30	.XXX ±	SIZE A4	APPROVE LISS XIANG	DATE 10/22'10			
.X ± 0.25	X.* ± 4°						
.XX ± 0.20	.X* ± 4°						