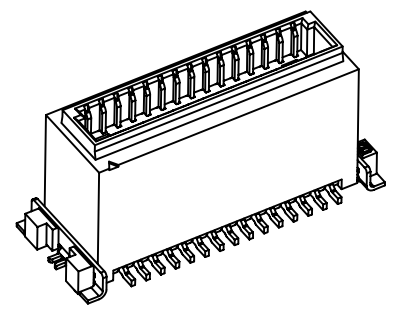
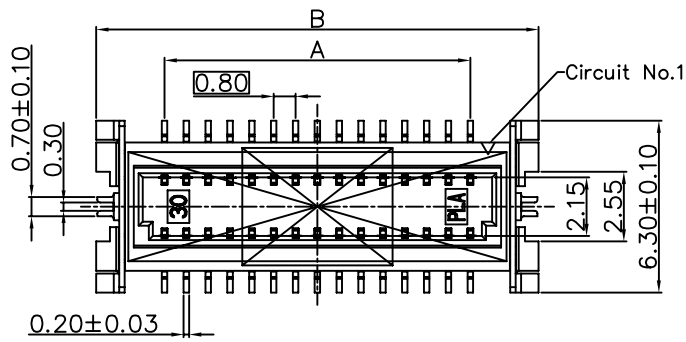
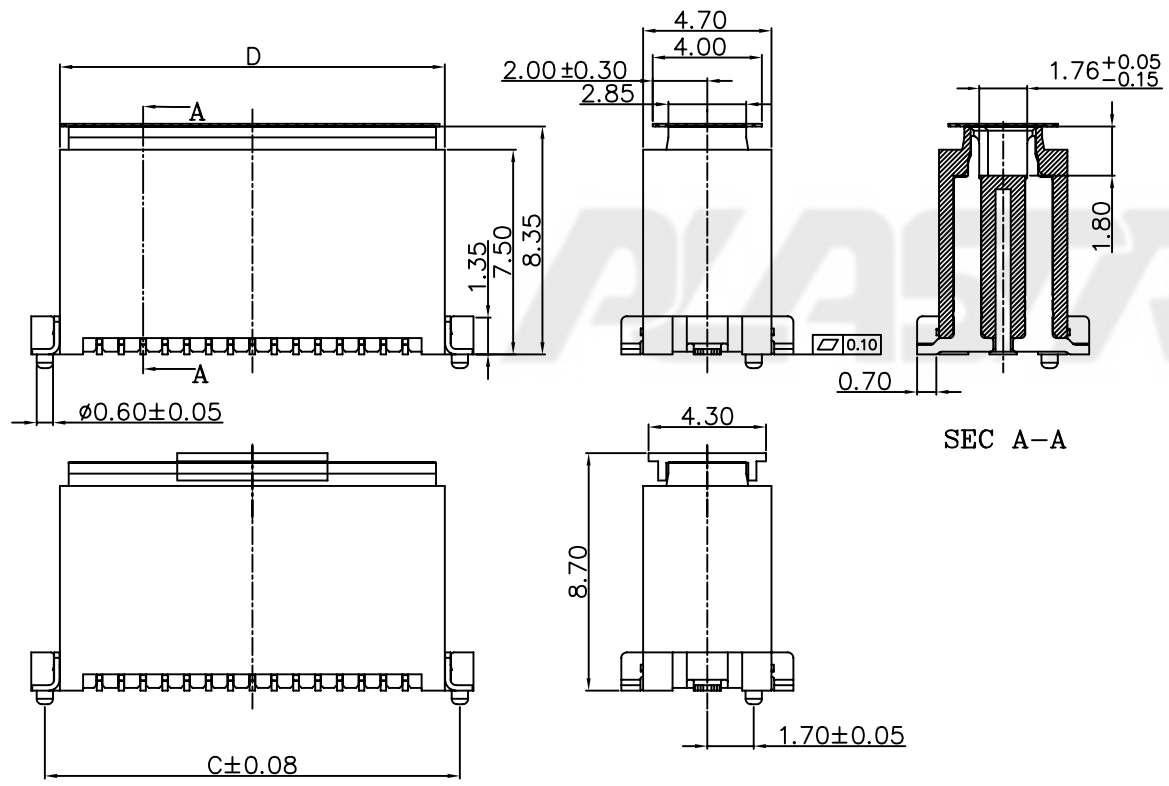


REV.	ECN NO.	DESCRIPTION	DRAWN
7	CH10110234	新增GOPIN規格	IVANLUI_11/23'10



Note

- All Dimensions are in Millimeters.
- Material:  
Housing: High temperature thermoplastic, UL94 V-0 .  
Contact: Copper alloys
- Dimension shall be interpreted per "ansi Y14.5M-1994"
- Current Rating: 0.5 A AC/DC Max.  
Voltage: 100V AC /DC .  
Dielectric withstanding: : 500 V AC  
Insulation resistance: 100M ohms min.
- Contact resistance: 40mΩ max.
- Operating Temperature: -40° ~ +85°
- Harmful Material Should Be Compliant To Doc "EI-0005" Standrads.
- Product number matrix:



66023-XX-X-X-X-X

No. of position

Definition	Code
◎ Tin plated:	A
◎ Gold plated:	
flash	B 15μ" F

NULL:TUBE  
 K:REEL  
 C:FLIM+REEL  
 R:PAD+REEL  
 NULL:WITH HALOGEN  
 H:HALOGEN FREE  
 0:W/O Locating peg  
 1:With Locating peg

 PLASTRON TECHNOLOGY (SHENZHEN) CO.,LTD	GENERAL TOLERANCE		SCALE 1=1	ORIGINAL DRAWN Ivan Lui	DATE 11/23'10	DWG. NO. 600-0000-003	TITLE CUSTOMER DRAWING FOR BTB 0.80mm PITCH	REV. 7
	XX. ± 0.50	XXX. ±	UNIT MM	CHECK Lane Sun	DATE 11/23'10			PARTS NO.(INTENDED USE) 66023-XX-X-X-X-X SERIES
	X. ± 0.30	.XXX ±	SIZE A4	APPROVE Liss Xiang	DATE 11/23'10			
	.X ± 0.25	X.* ± 3'						
.XX ± 0.20	.X* ± 2'							