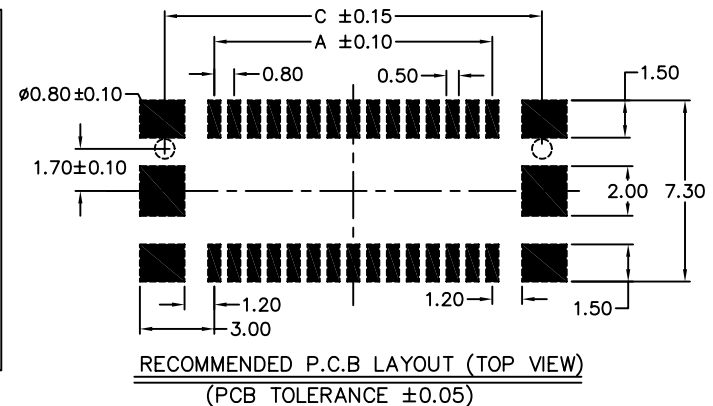
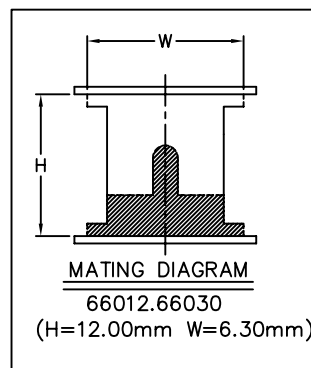
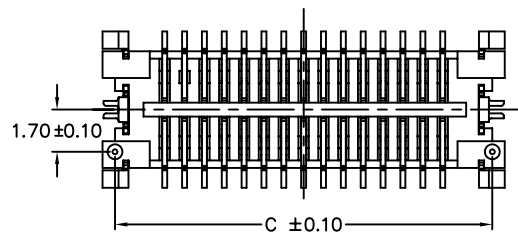
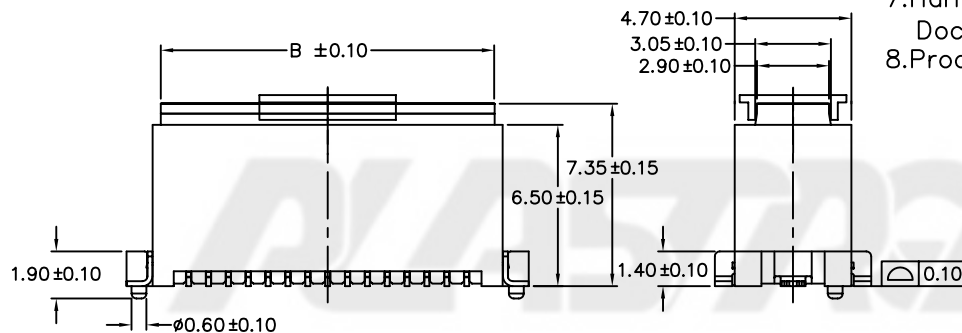
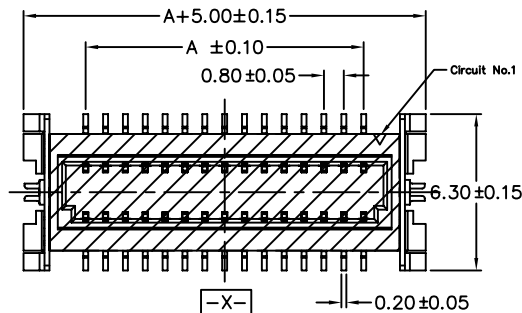


CKT	DIM A	DIM B	DIM C
10	3.20	5.45	7.20
12	4.00	6.25	8.00
14	4.80	7.05	8.80
16	5.60	7.85	9.60
18	6.40	8.65	10.40
20	7.20	9.45	11.20
22	8.00	10.25	12.00
24	8.80	11.05	12.80
26	9.60	11.85	13.60
28	10.40	12.65	14.40
30	11.20	13.45	15.20
32	12.00	14.25	16.00
34	12.80	15.05	16.80
36	13.60	15.85	17.60
38	14.40	16.65	18.40
40	15.20	17.45	19.20
42	16.00	18.25	20.00
44	16.80	19.05	20.80
46	17.60	19.85	21.60
48	18.40	20.65	22.40
50	19.20	21.45	23.20
52	20.00	22.25	24.00
54	20.80	23.05	24.80
56	21.60	23.85	25.60
58	22.40	24.65	26.40
60	23.20	25.45	27.20
62	24.00	26.25	28.00
64	24.80	27.05	28.80
66	25.60	27.85	29.60
68	26.40	28.65	30.40
70	27.20	29.45	31.20
72	28.00	30.25	32.00
74	28.80	31.05	32.80
76	29.60	31.85	33.60
78	30.40	32.65	34.40
80	31.20	33.45	35.20



REV.	ECN NO.	DESCRIPTION	DRAWN
2	ECR-4A0459	Add 50 Pin Spec	劉興柱_10/27'04
3	CH10120151	Add 12 Pin Spec	LIU.XIHONG_12/10'10

Note

- All Dimensions are in Millimeters.
- Material:  
Housing: High temperature thermoplastic, UL94 V-0 .  
Contact: Copper alloys
- Dimension shall be interpreted per "ansi Y14.5M-1994"
- Current Rating: 0.5 A AC/DC Max.  
Voltage: 100V AC /DC .  
Dielectric withstanding: : 500 V AC  
Insulation resistance: 100M ohms min.
- Contact resistance: 40mΩ max.
- Operating Temperature: -40° ~ +85°
- Harmful Material Should Be Compliant To  
Doc "EI-0005" Standrads.
- Product number matrix:

66012-XX-X-X-X-X

Definition	Code
⊙ Tin plated:	A
⊙ Gold plated:	
flash	B 15μ" F

No. of position

K: REEL  
 C: FLIM+REEL  
 R: PAD+REEL  
 NULL: WITH HALOGEN  
 H: HALOGEN FREE  
 0: W/O Locating peg  
 1: With Locating peg



GENERAL TOLERANCE	
XX. ± 0.50	XXX. ±
X. ± 0.30	.XXX ±
.X ± 0.25	.X' ± 3'
.XX ± 0.20	.X' ± 2'

SCALE	1=1
UNIT	MM
SIZE	A4

ORIGINAL DRAWN	Liu.Xihong
CHECK	Lane Sun
APPROVE	Liss Xiang

DATE	12/10'10
DATE	12/10'10
DATE	12/10'10

DWG. NO.	600-0000-009
PARTS NO.(INTENDED USE)	66012-XX-X-X-X-X SERIES

TITLE	CUSTOMER DRAWING FOR BTB 0.80mm PITCH
-------	---------------------------------------

REV.	3
SHEET	1/3